

Please Note

The Above is a Selection of the Most Popular Straight Run Configurations.

These are Available Either Open Out or Open In.

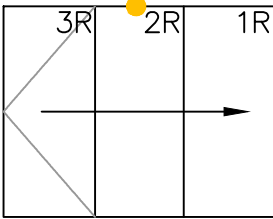
The ● Configurations Can Also Be Supplied Opposite Hand. Corner and Faceted Curved Options are Also Available

Description SF55

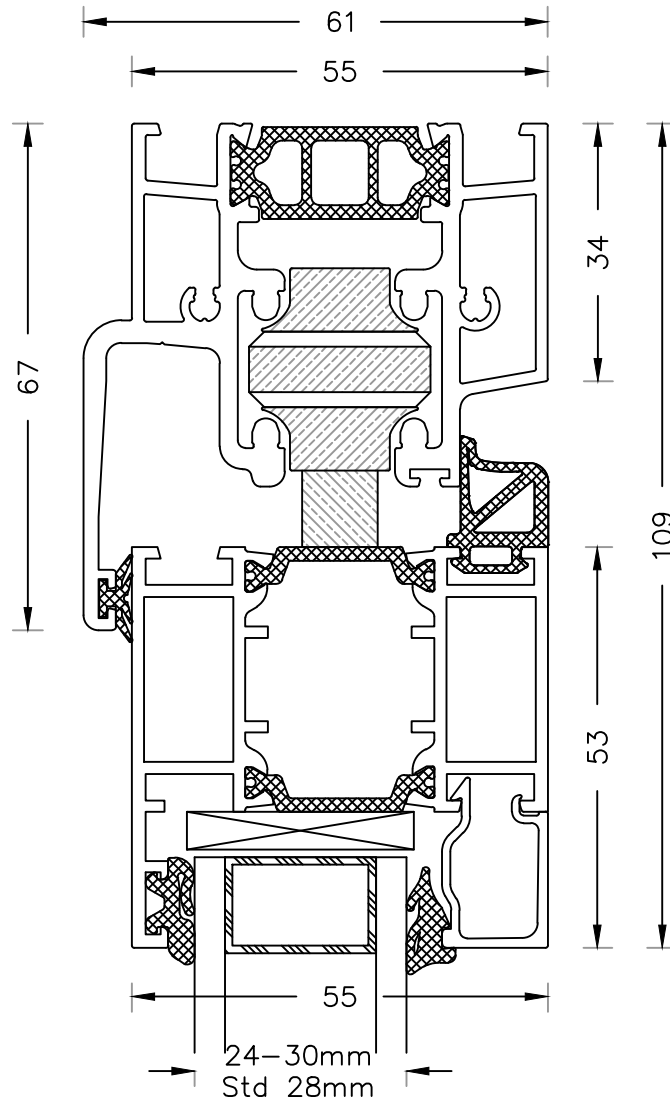
Thermally Broken Aluminium Folding Sliding Door System Configuration Options

Detail No. SF55-00

System: SF55 B



OUTSIDE



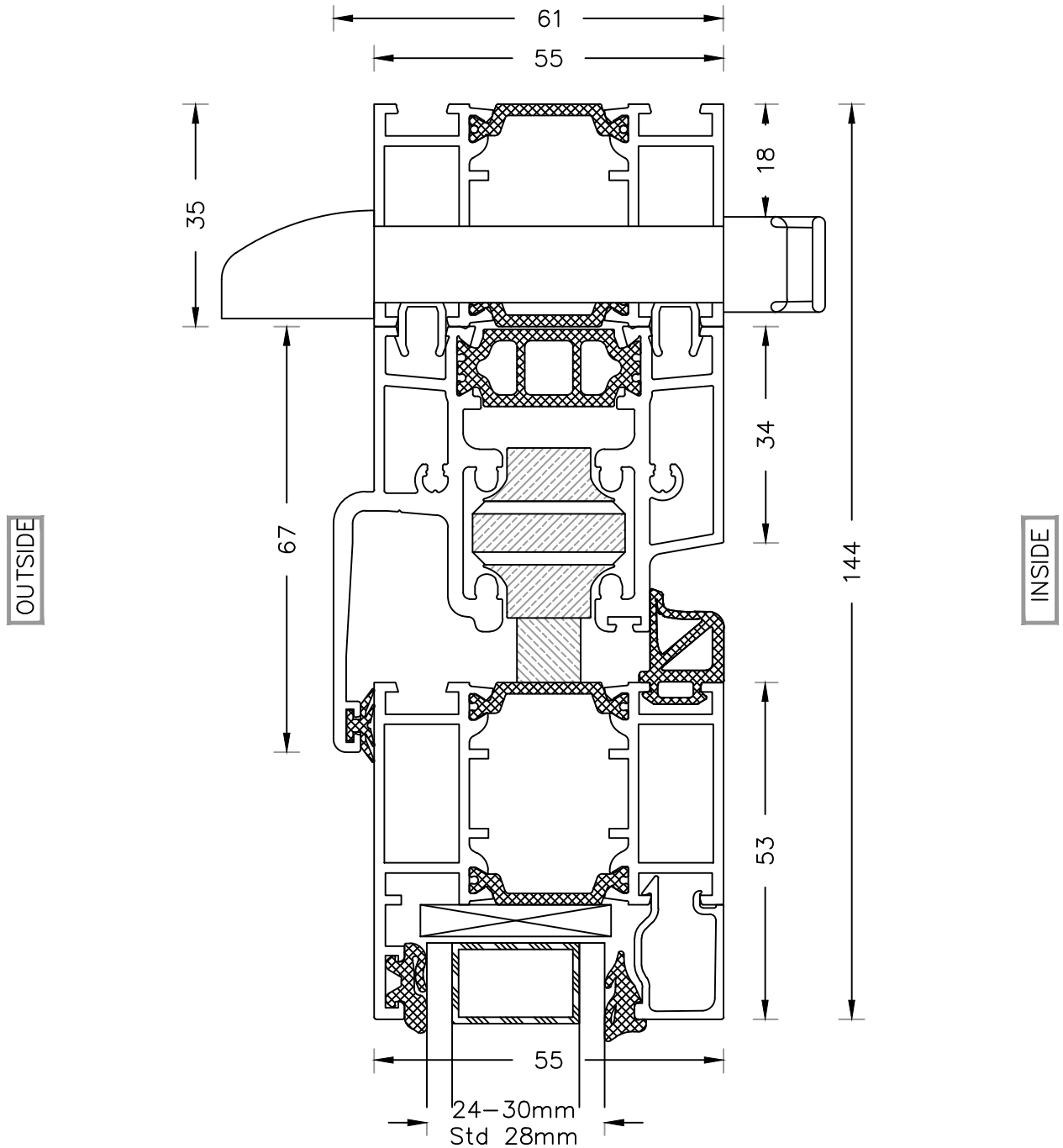
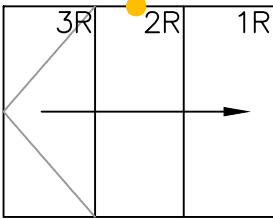
INSIDE

Description Vertical Section - Connection
Top Track - Panel / Open In

Detail SF55-01

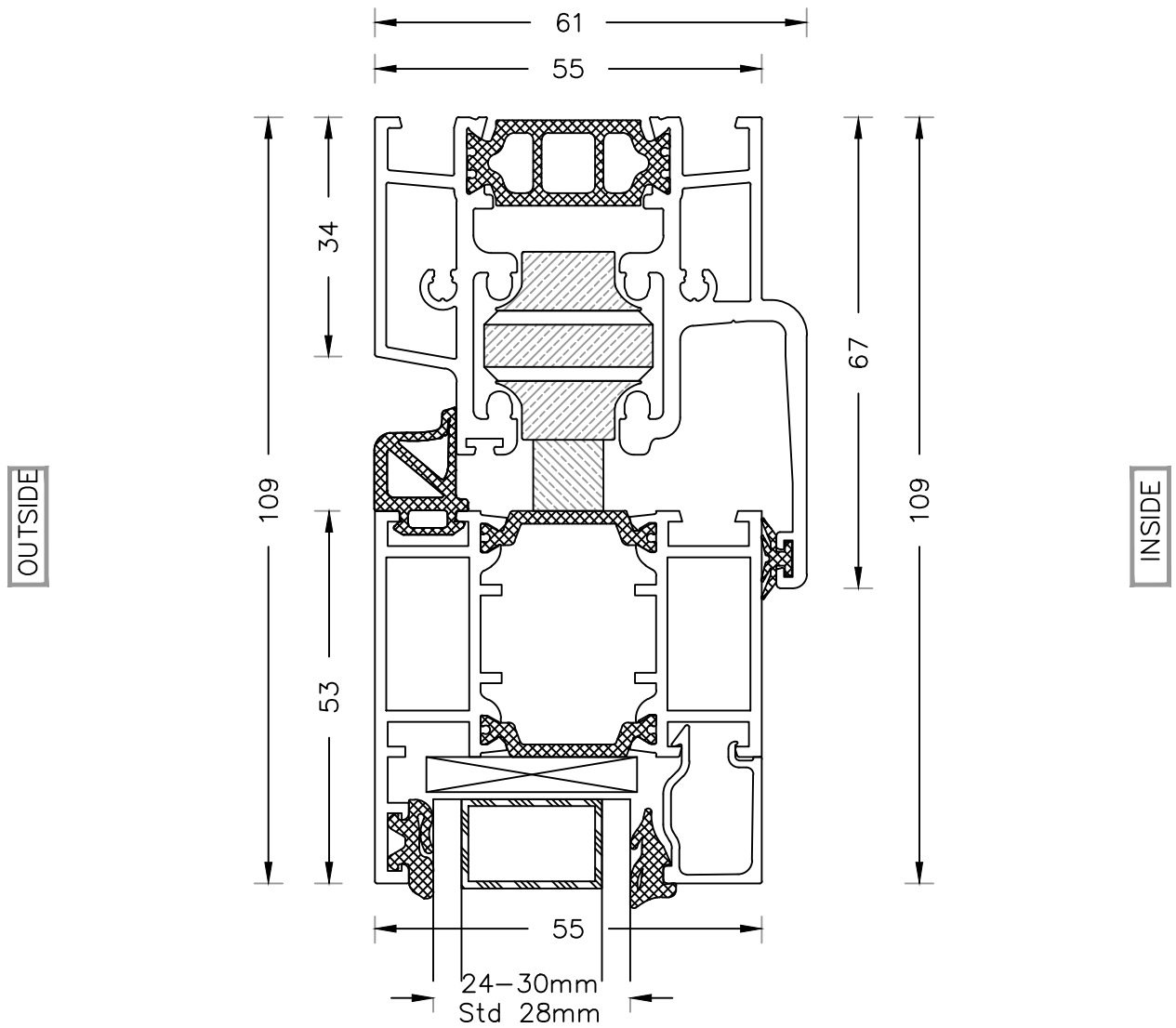
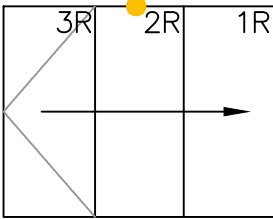
No.
System: SF55

B



Description Vertical Section – Connection
 Top Track With 35mm Extension And Trickle Vent –
 Panel / Open In

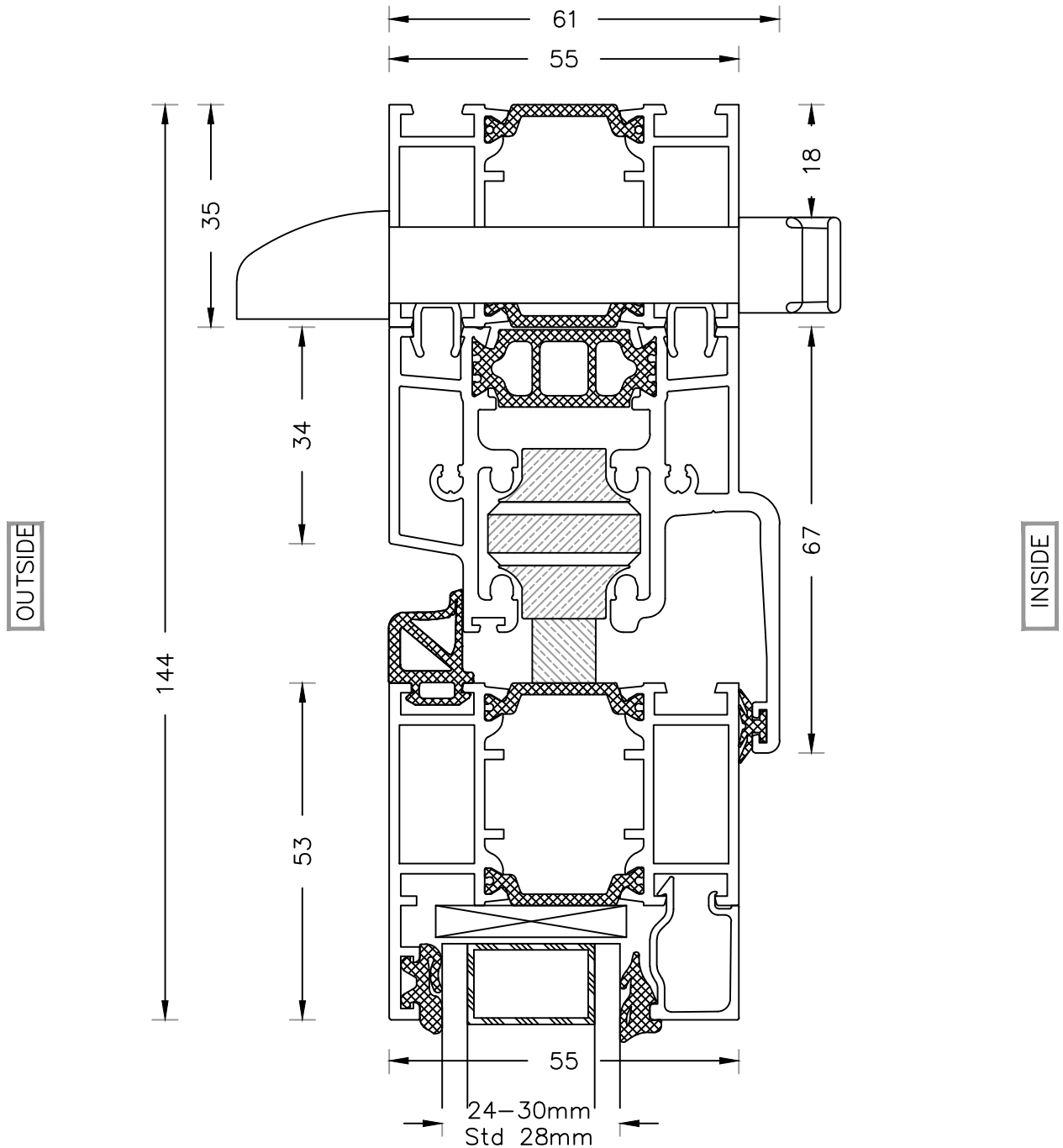
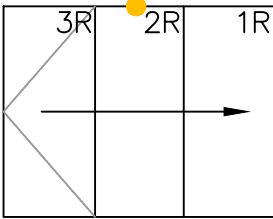
Detail SF55-01TV	
No.	
System: SF55	B



Description Vertical Section - Connection
Top Track - Panel / Open Out

Detail SF55-02
No.
System: SF55

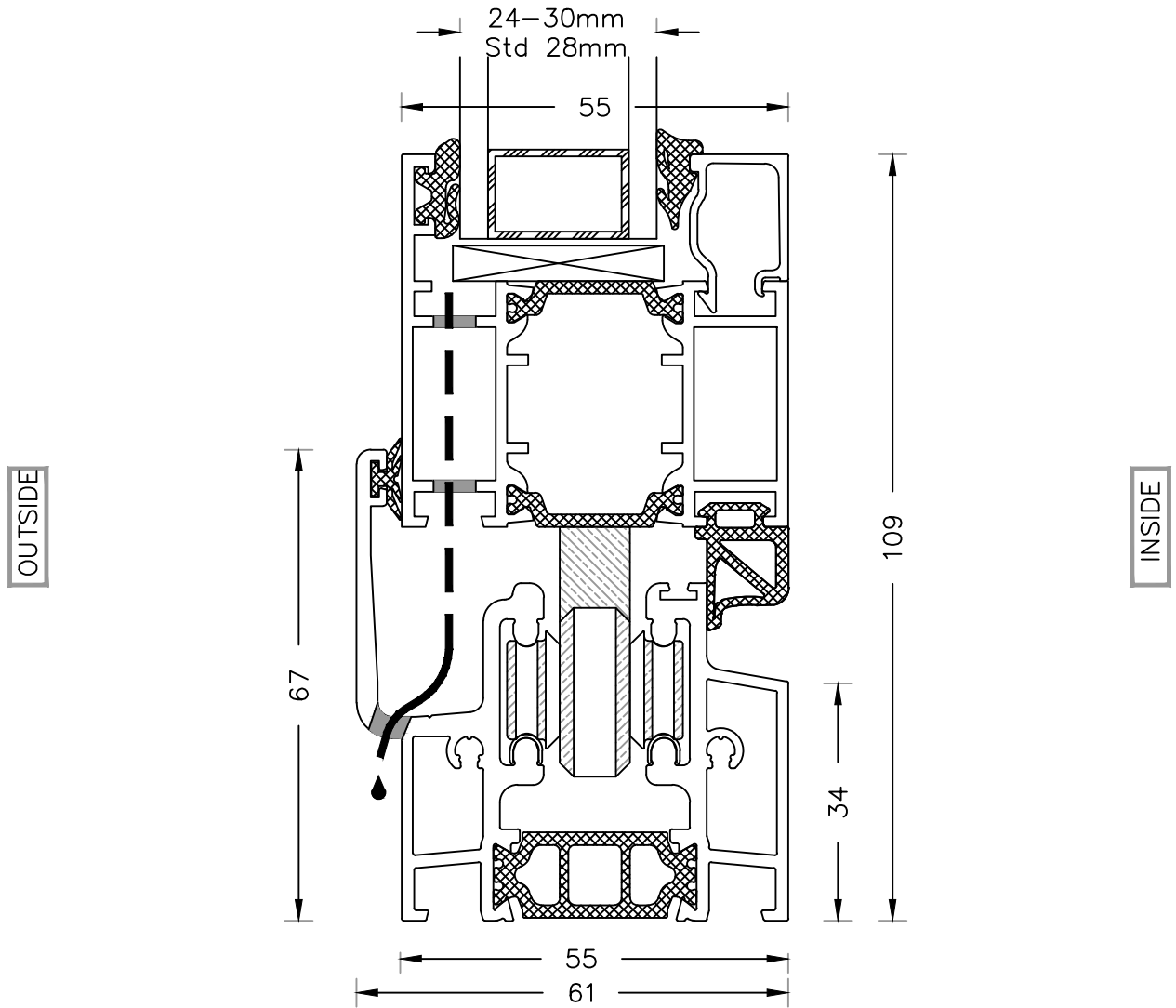
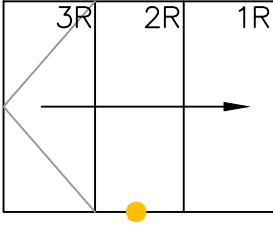
B



Description Vertical Section – Connection
 Top Track With 35mm Extension And Trickle Vent –
 Panel / Open Out

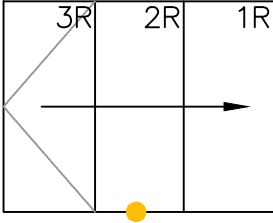
Detail SF55-02TV
 No.
 System: SF55

B



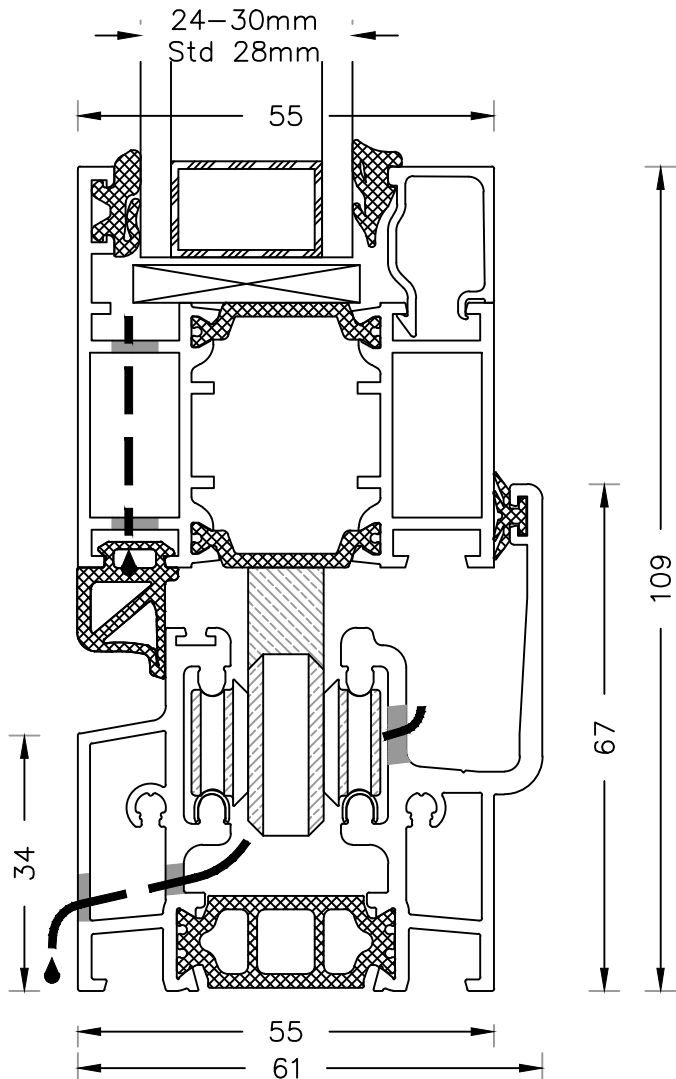
Description Vertical Section - Connection
Panel - Bottom Weathered Track / Open In

Detail SF55-03	
No.	
System: SF55	B



OUTSIDE

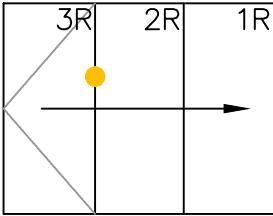
INSIDE



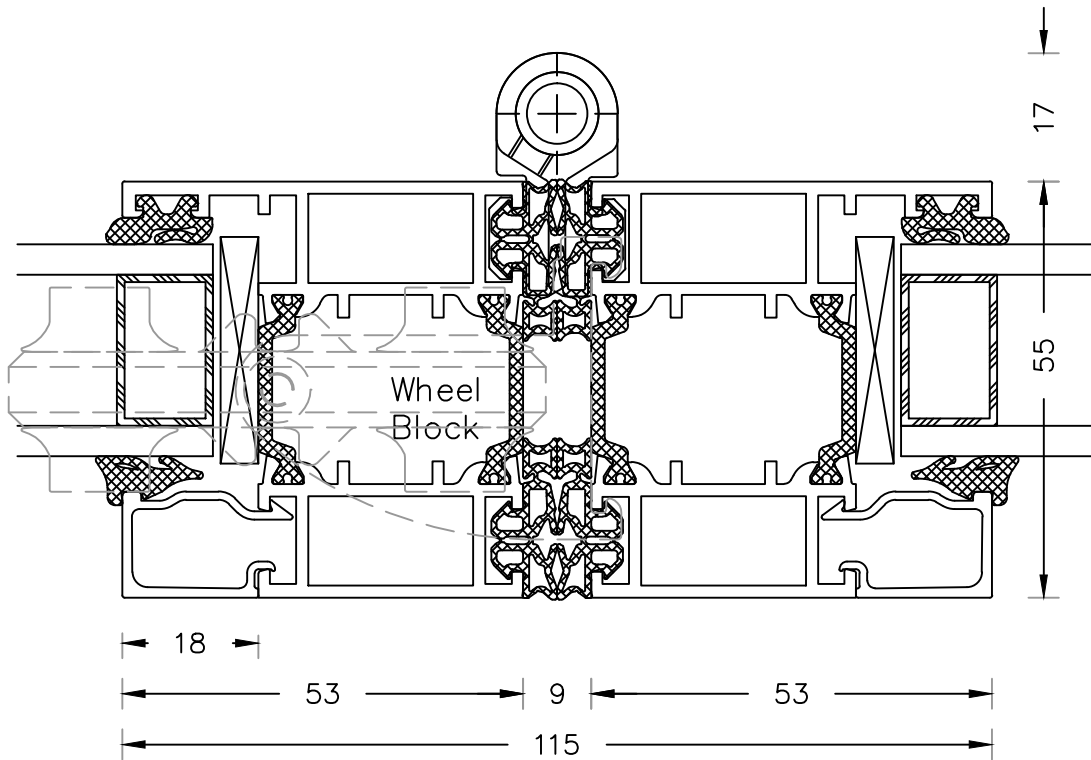
Description Vertical Section - Connection
Panel - Bottom Weathered Track / Open Out

Detail SF55-04
No.
System: SF55

B



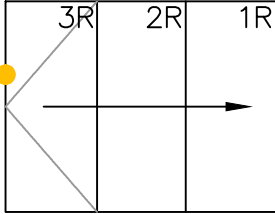
OUTSIDE



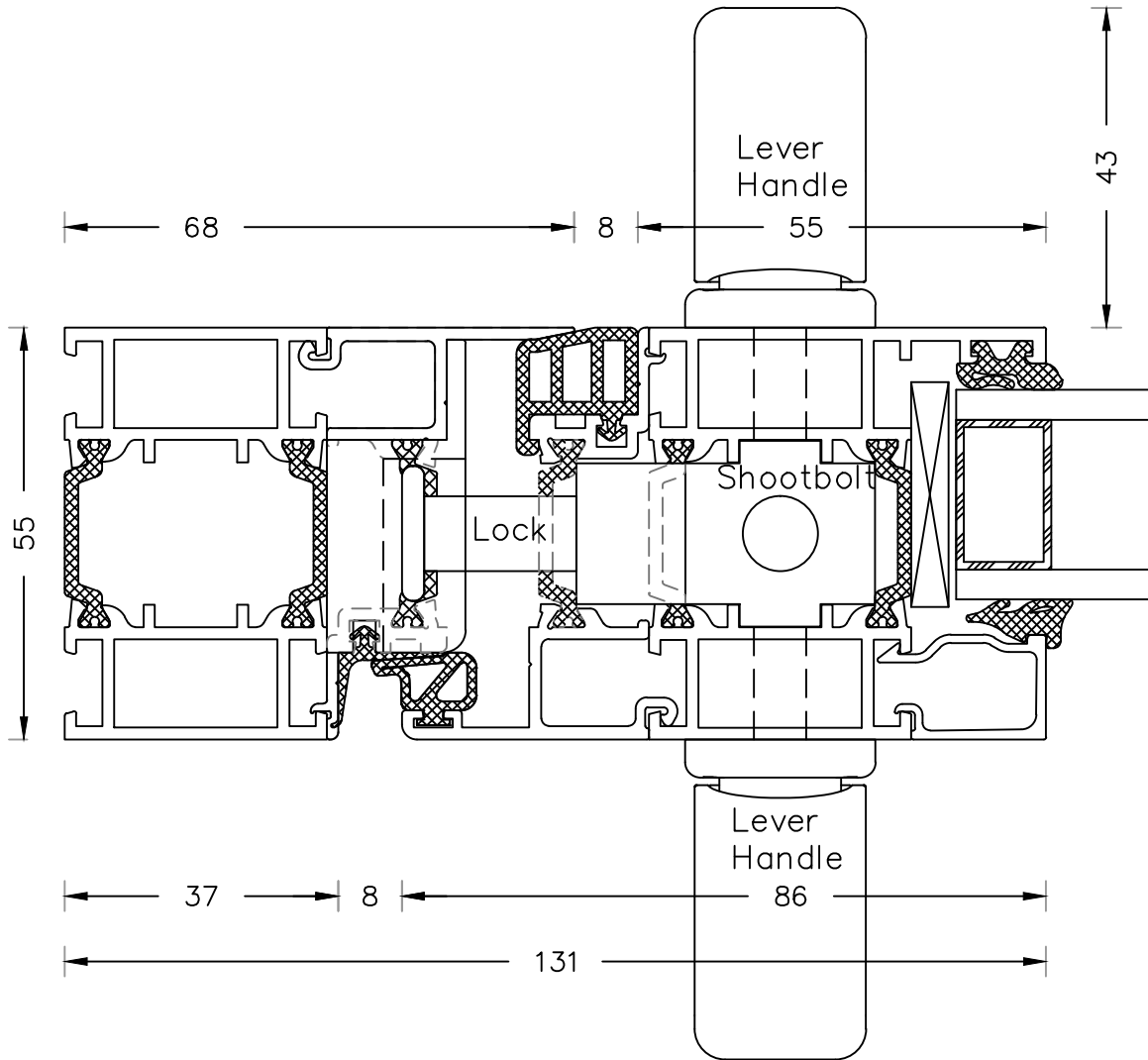
INSIDE

Description: Horizontal Section – Connection
 Panel 3R – Panel 2R / Open Out

Detail SF55–10	
No.	SF55
System	B



OUTSIDE

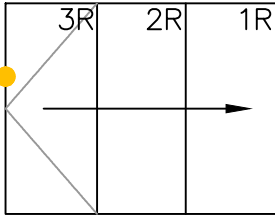


INSIDE

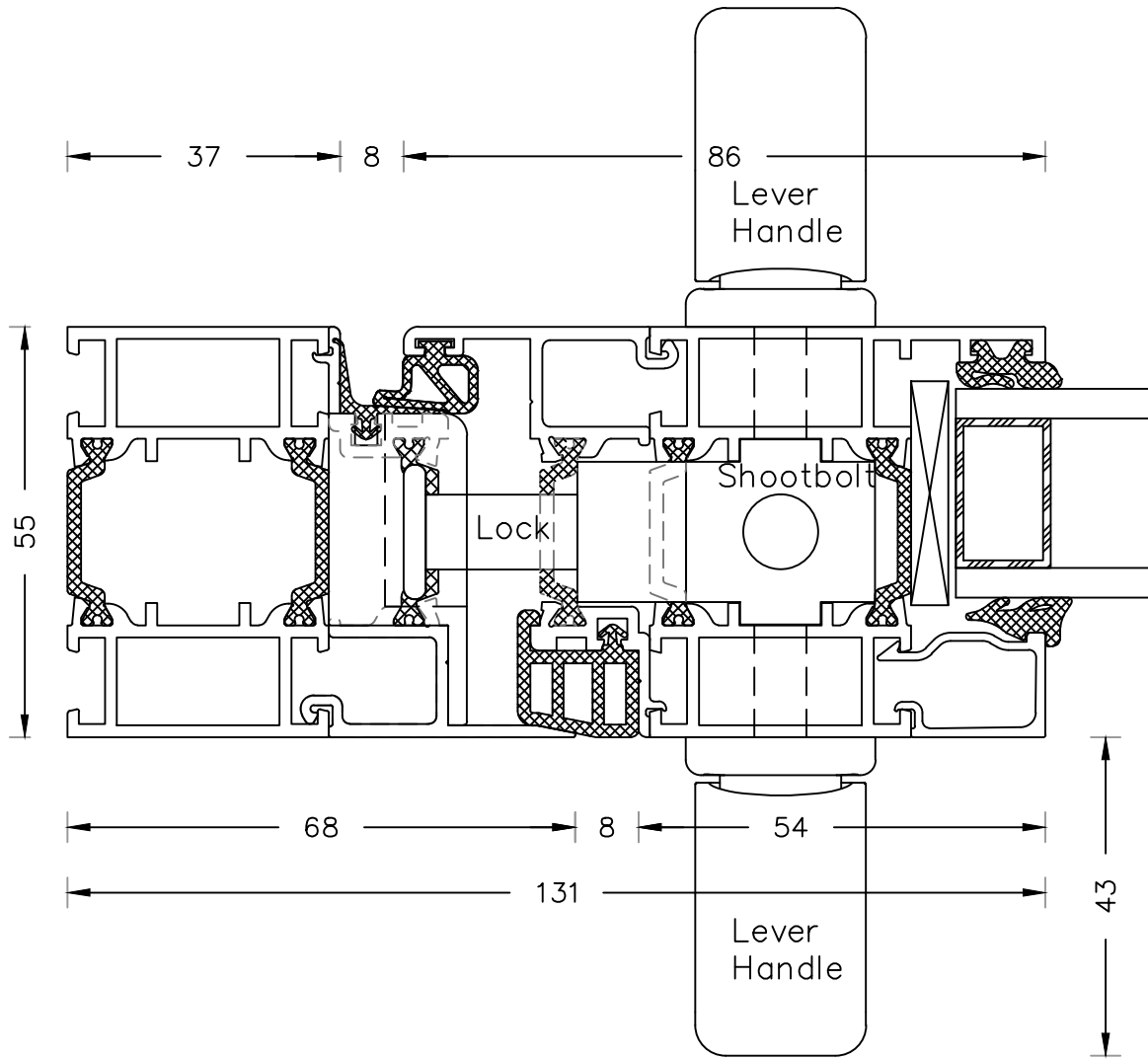
Description: Horizontal Section – Connection
Closing Jamb – Panel 3R / Open In

Detail SF55-06
No.
System: SF55

C



OUTSIDE

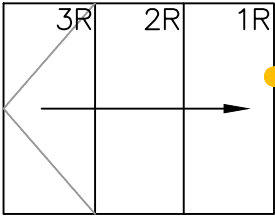


INSIDE

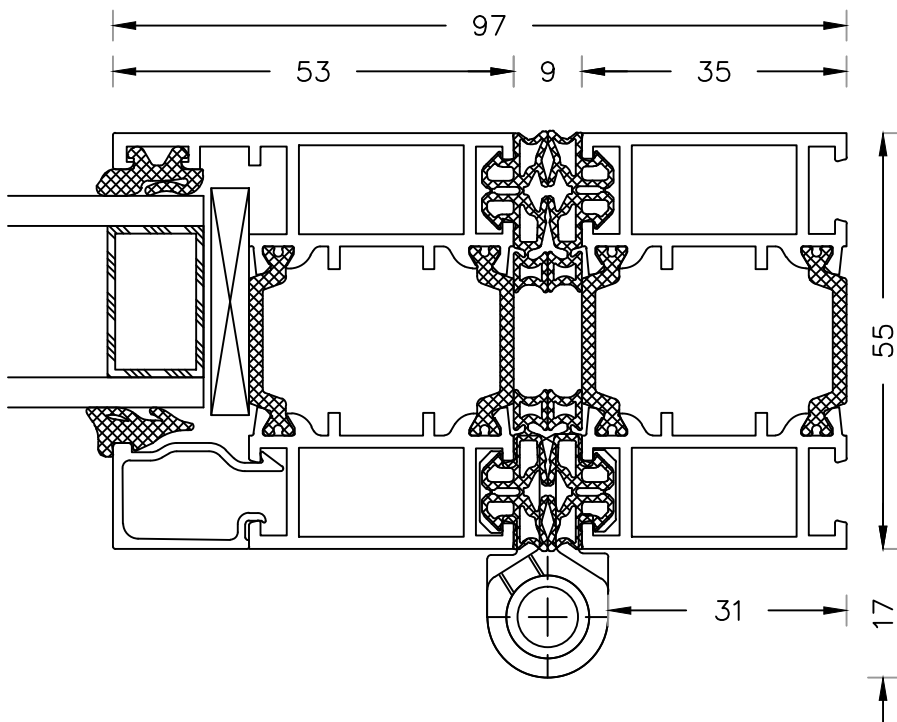
Description: Horizontal Section – Connection
Closing Jamb – Panel 3R / Open Out

Detail SF55-07
No.
System: SF55

B



OUTSIDE

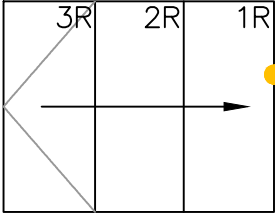


INSIDE

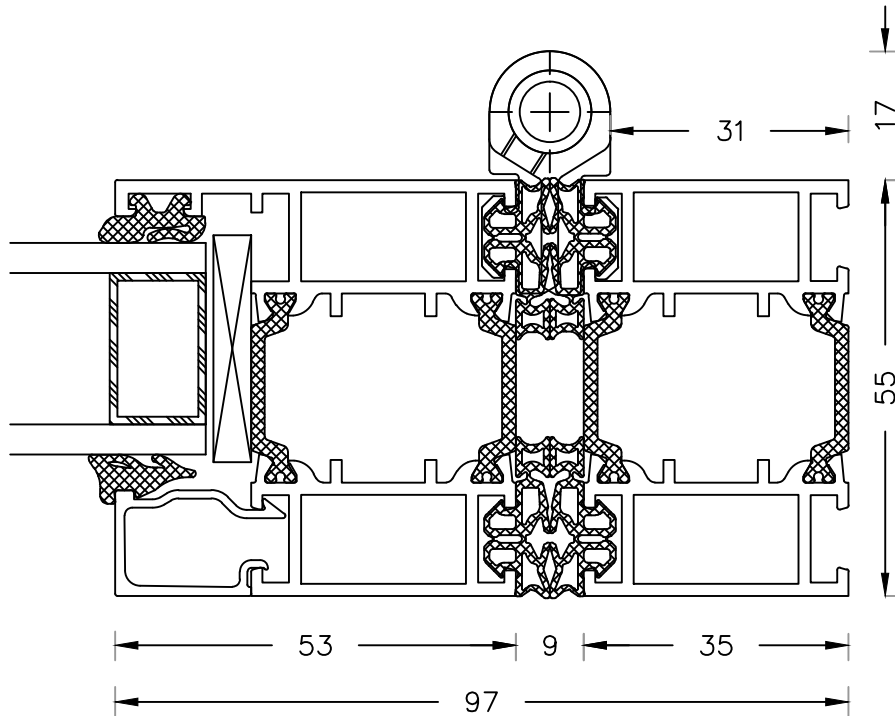
Description
 Horizontal Section – Connection
 Panel 1R – Hinge Jamb / Open In

Detail SF55-08
 No.
 System SF55

B



OUTSIDE

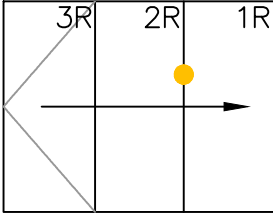


INSIDE

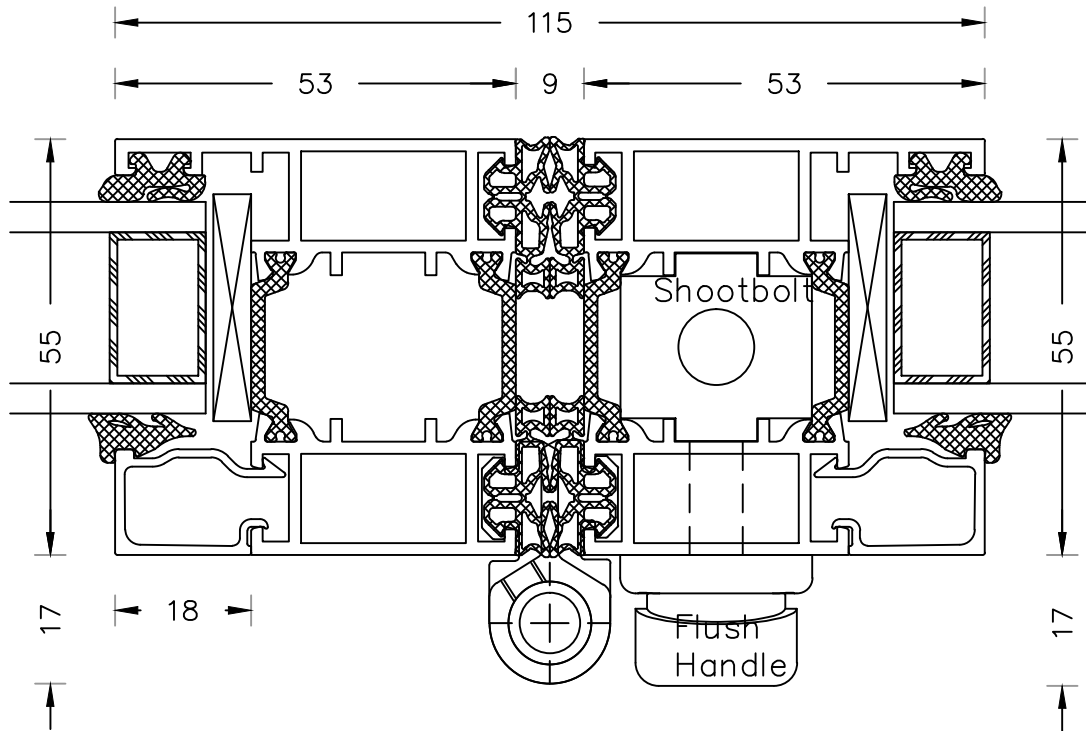
Description: Horizontal Section – Connection
Panel 1R – Hinge Jamb / Open Out

Detail SF55-09
No. SF55
System SF55

B



OUTSIDE

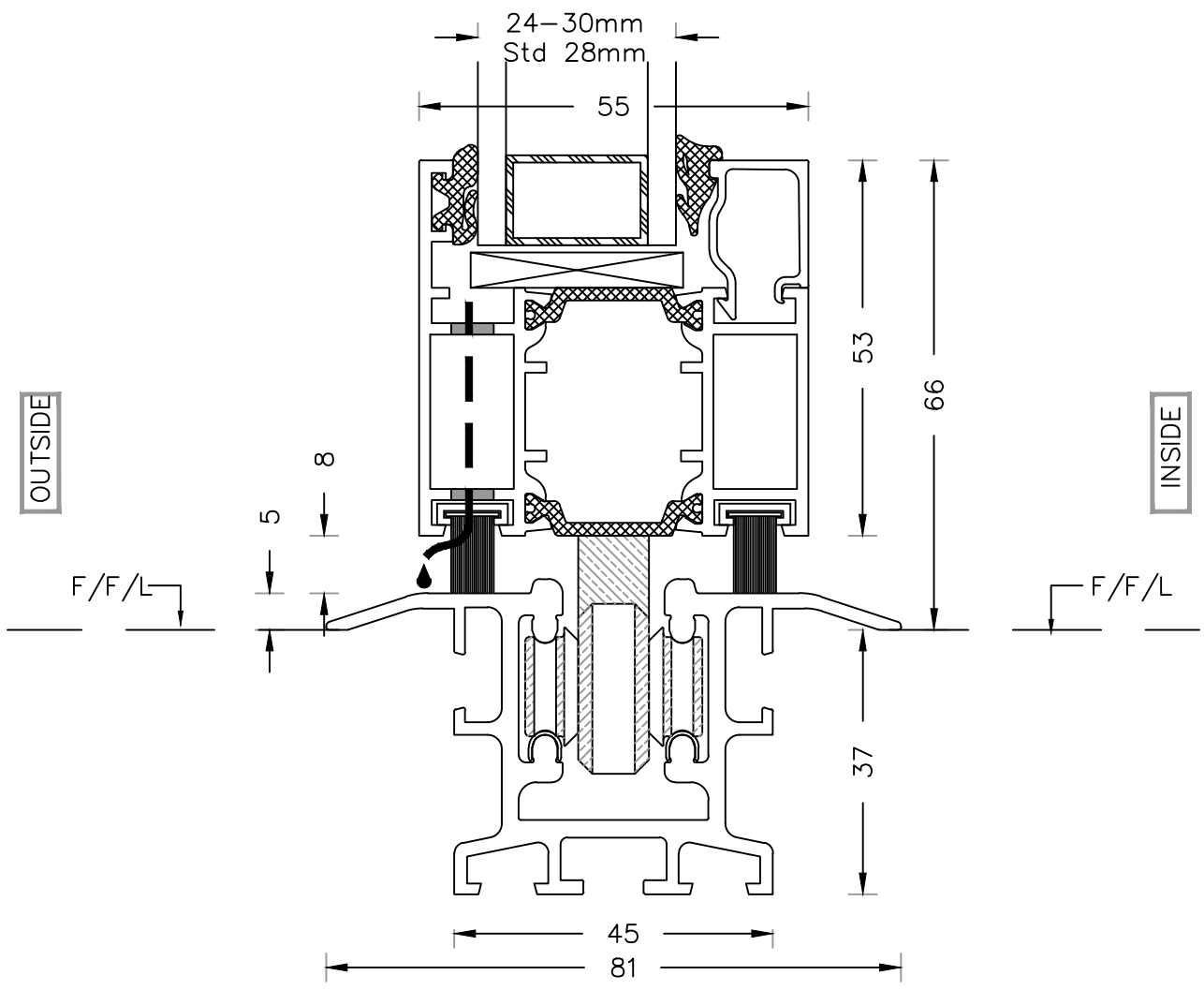
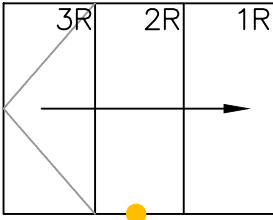


INSIDE

Description Horizontal Section – Connection
Panel 2R – Panel 1R / Open Out

Detail SF55-11
No.
System SF55

B



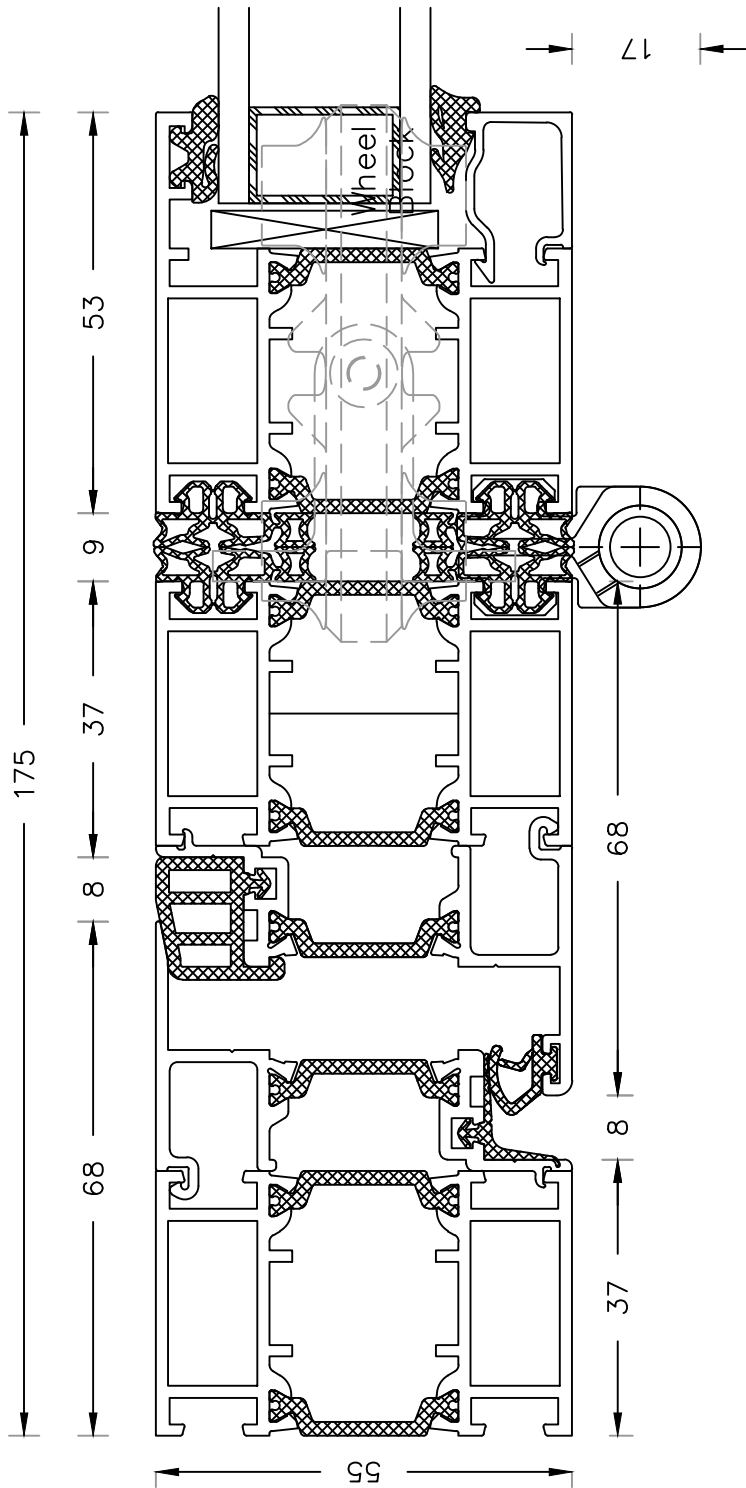
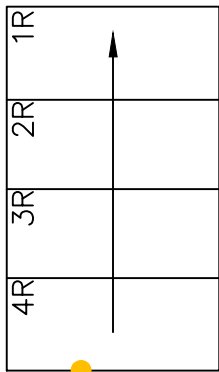
Note: Flush Track Reduces Weather Rating
 Not Recommended for Exposed Locations
 On External Flush Track Systems We Recommend External Floor Level (Unless Decking), is Laid with a Fall Away from the Track to Prevent Water Ingress

Description Vertical Section – Connection
 Panel – Bottom Flush Track

Detail SF55–05
 No.
 System: SF55

B

OUTSIDE



INSIDE

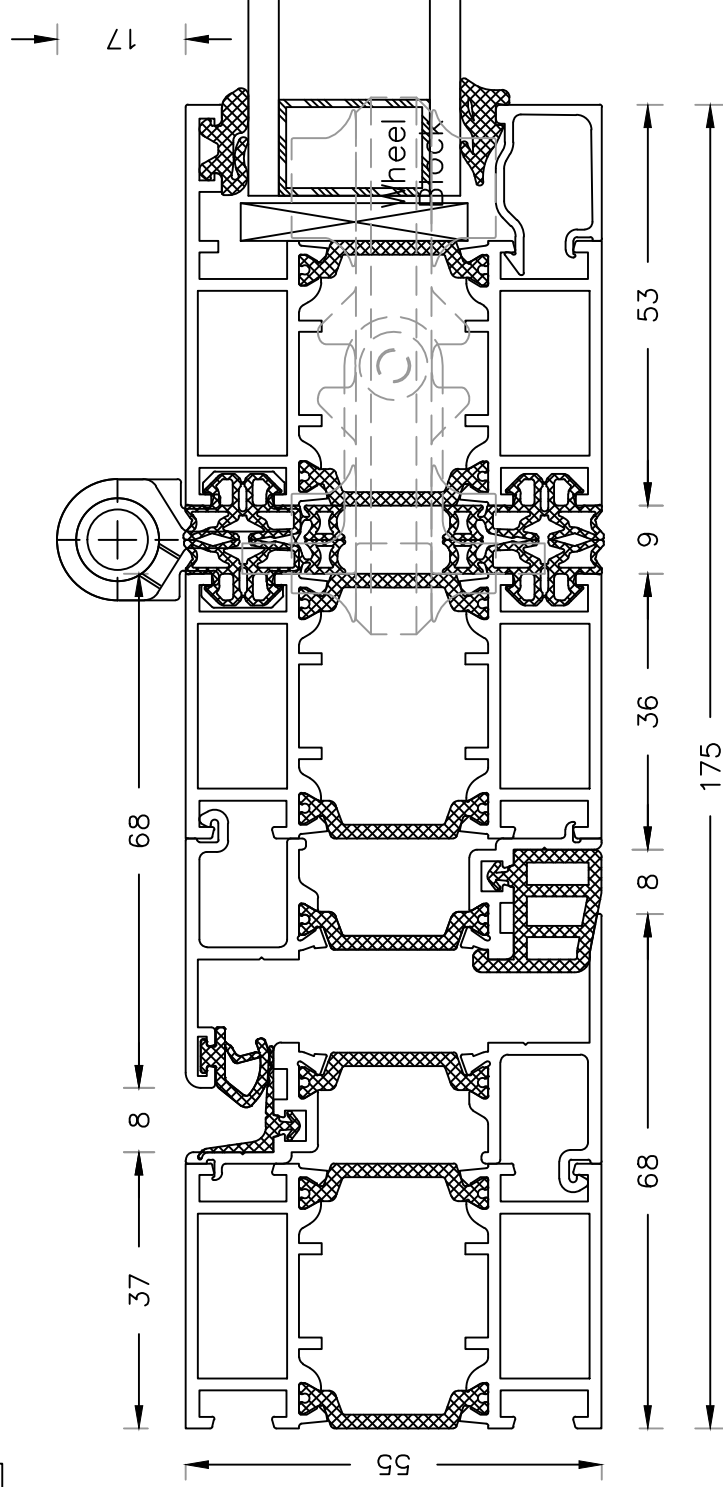
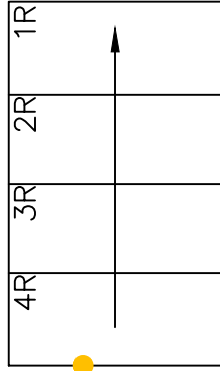
Description
 Horizontal Section - Connection
 Closing Jamb - Sliding Post - Panel 4R / Open In

Detail No. SF55-12

System SF55

B

OUTSIDE

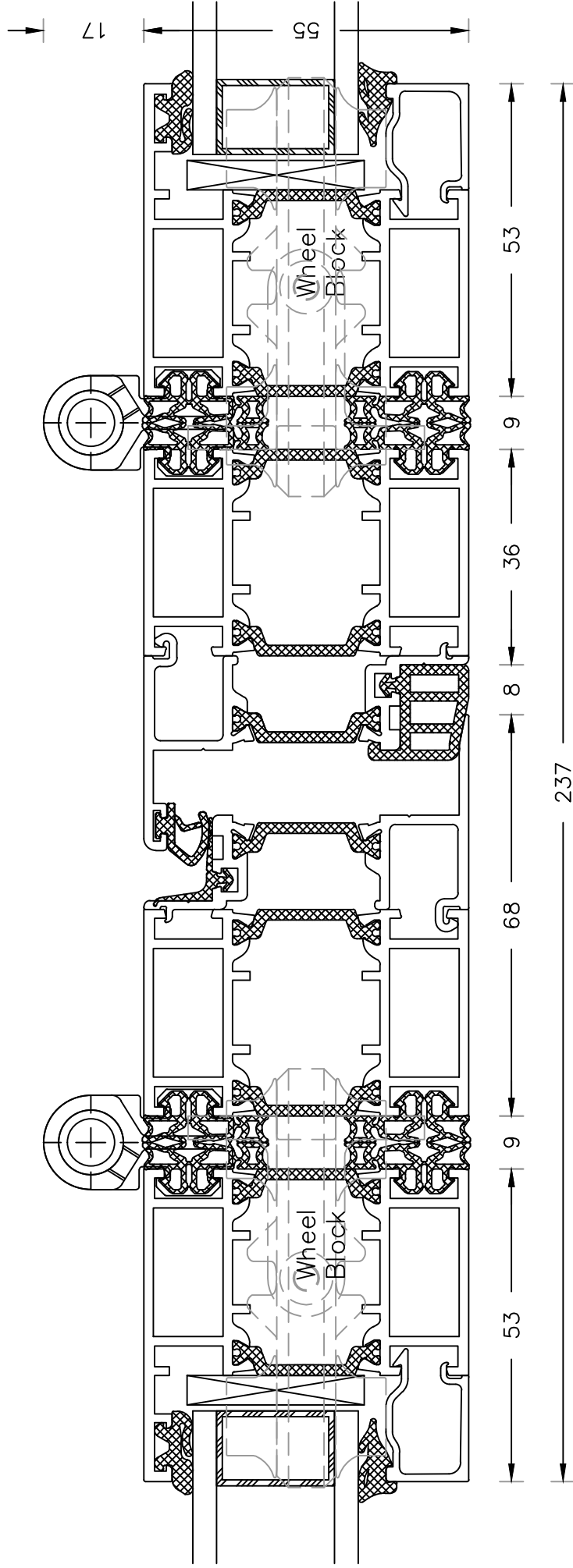
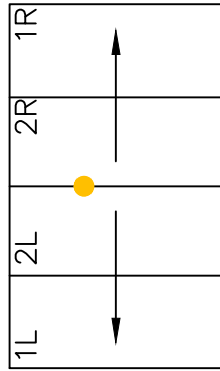


INSIDE

Description: Horizontal Section - Connection
Closing Jamb - Sliding Post - Panel 4R / Open Out

Detail No. SF55-13
System SF55 B

OUTSIDE



INSIDE

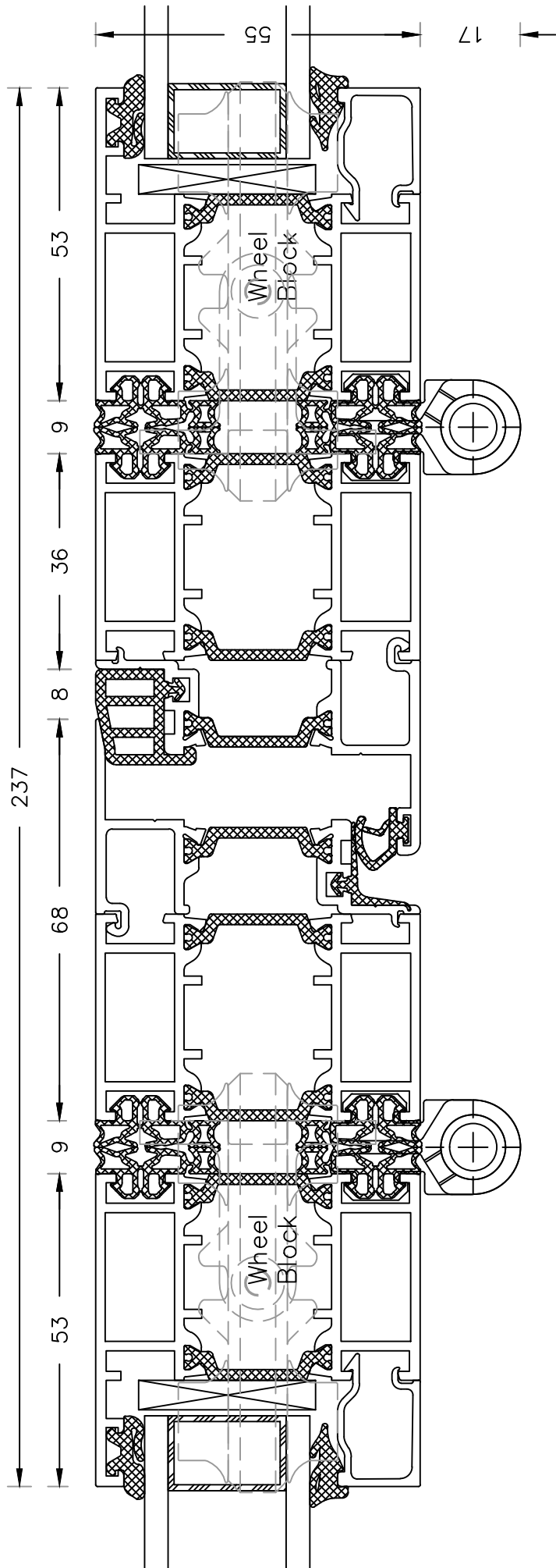
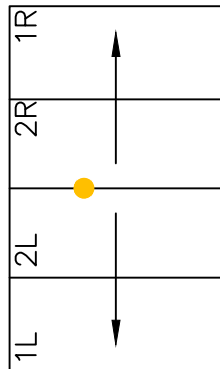
Description
 Panel 2L – Sliding Post – Sliding Post – Panel 2R
 / Open Out

Detail SF55-14

No. System SF55

B

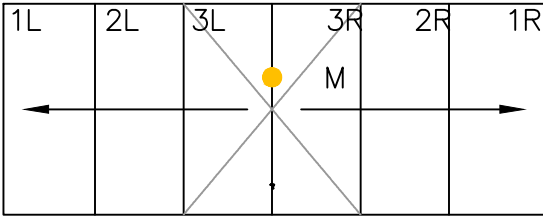
OUTSIDE



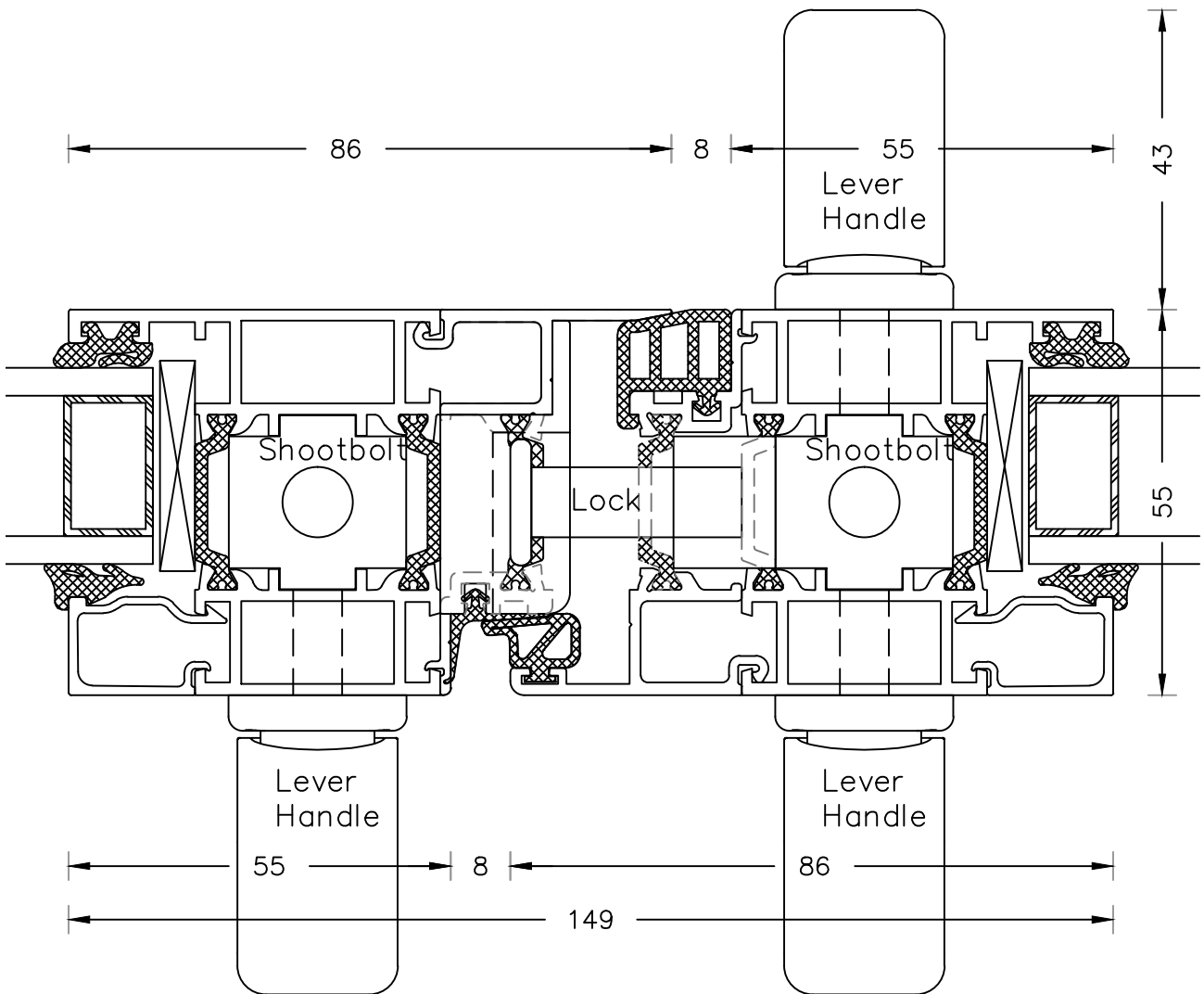
INSIDE

Description
 Panel 2L – Sliding Post – Sliding Post – Panel 2R
 / Open In

Detail No. SF55-15
 System SF55 B



OUTSIDE

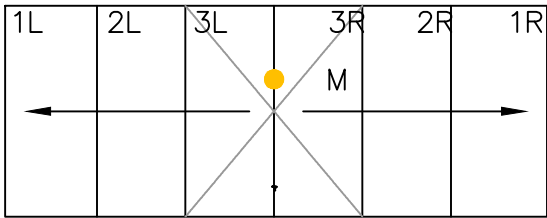


INSIDE

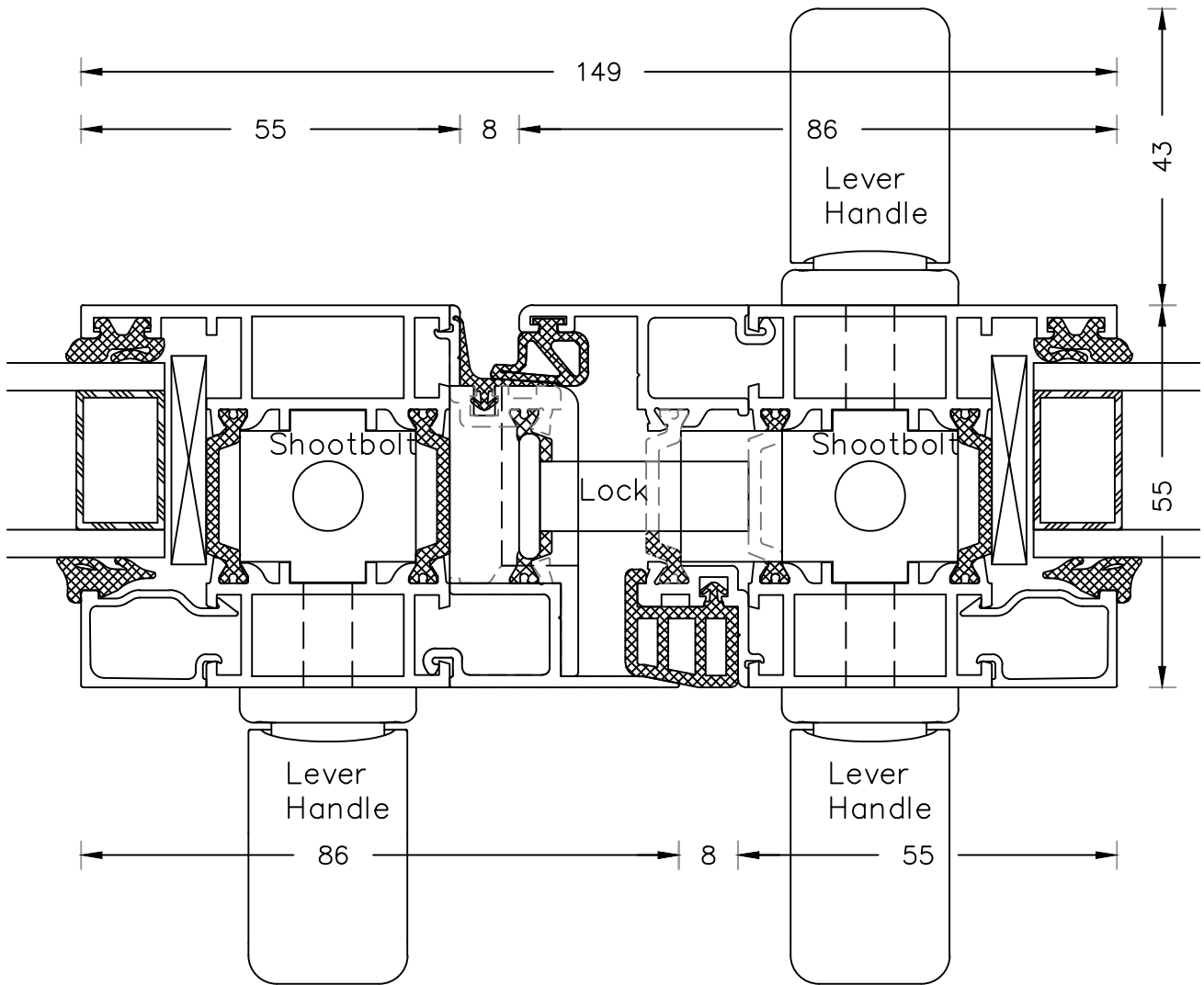
Description: Horizontal Section – Connection
 Panel 3L – Panel 3R / Open In
 (M = 1st Opening Panel 3R)

Detail SF55-16
 No. SF55
 System SF55

B



OUTSIDE



INSIDE

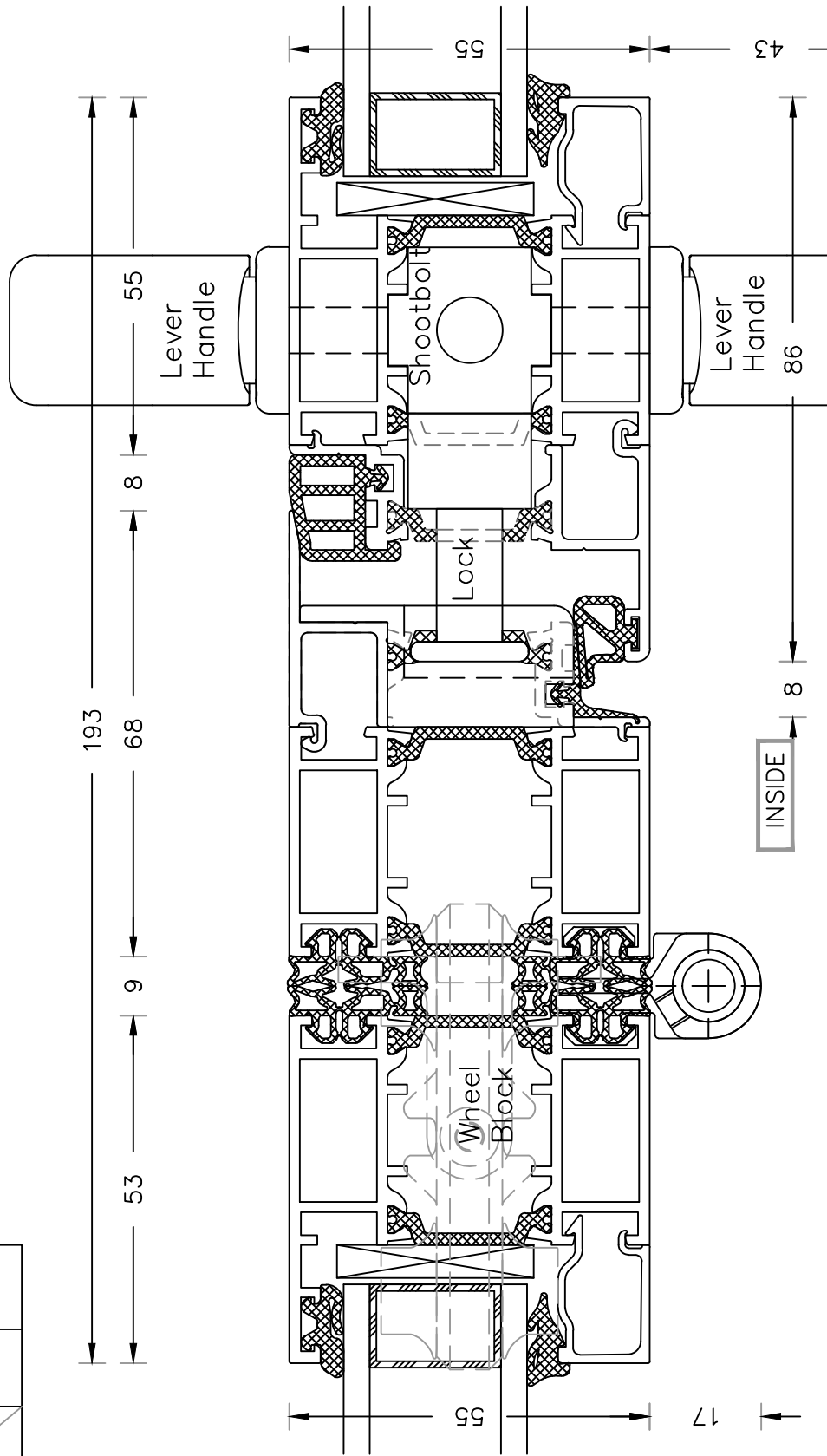
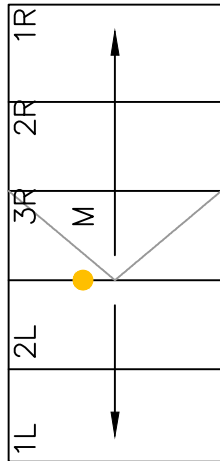
Description: Horizontal Section – Connection
 Panel 3L – Panel 3R / Open Out
 (M = 1st Opening Panel 3R)

Detail SF55-17

No. SF55
 System

B

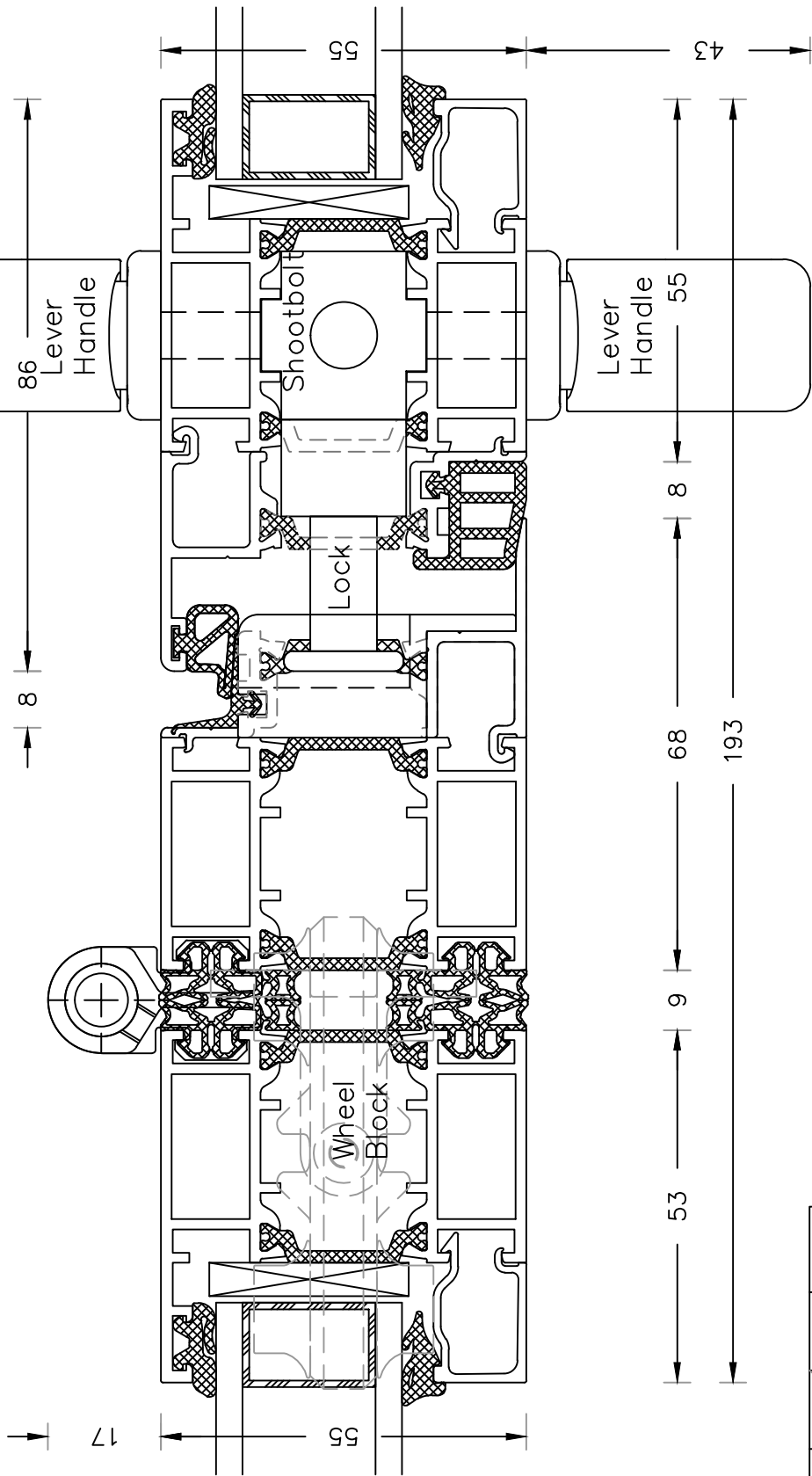
OUTSIDE



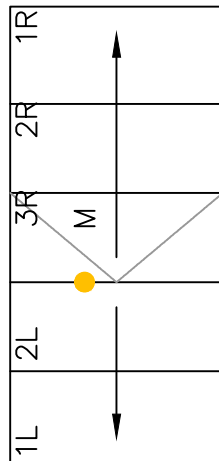
Horizontal Section - Connection
 Panel 2L - Sliding Post - Panel 3R / Open In
 (M = 1st Opening Panel 3R)

Detail No. SF55-18
 System SF55 B

OUTSIDE

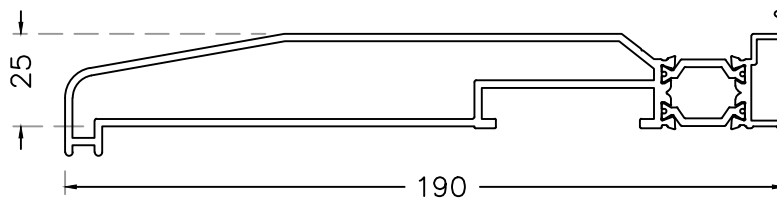
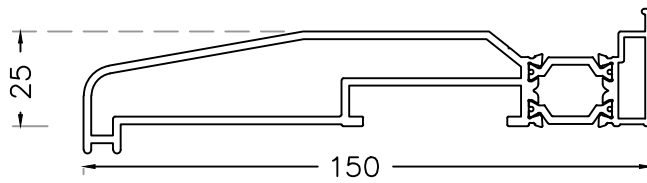
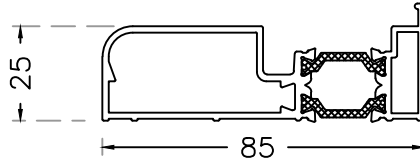


INSIDE



Description
 Panel 2L – Sliding Post – Panel 3R / Open Out
 (M = 1st Opening Panel 3R)

Detail No. SF55-19
 System SF55 B

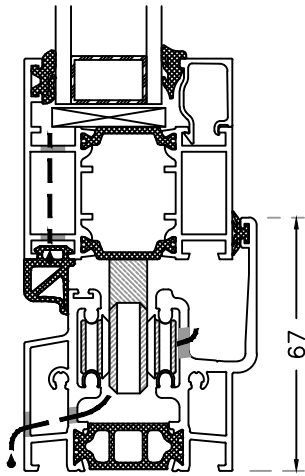


Description Thermally Broken Aluminium Sills – Size Options

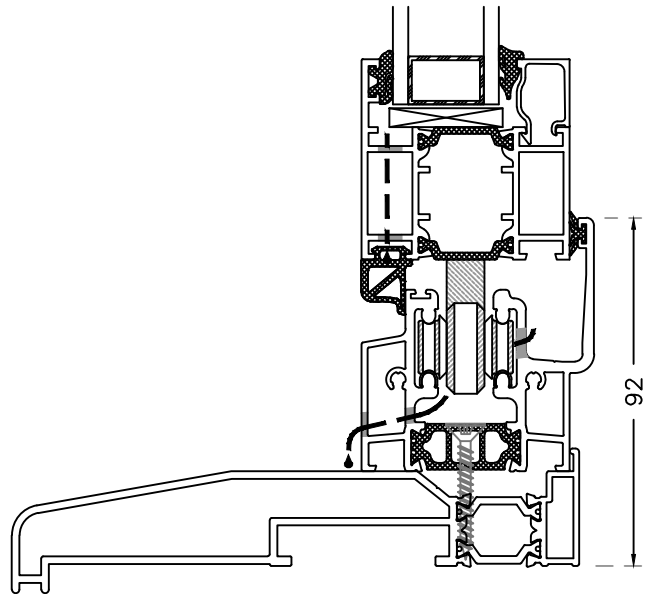
Detail SF55-20

No. SF55

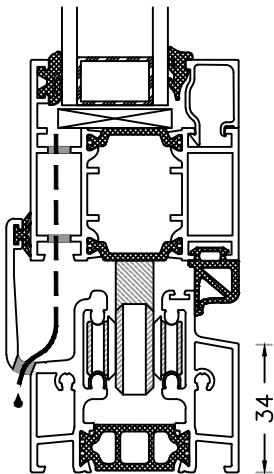
System B



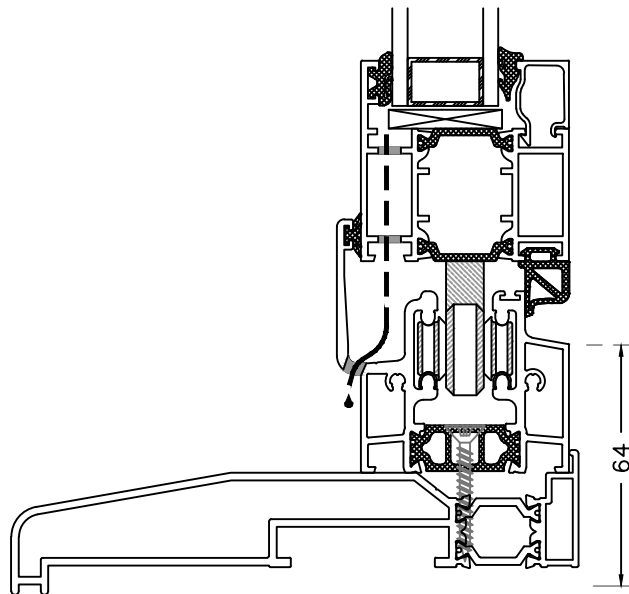
Option 1, Open Out Weathered track



Option 3, Open Out Weathered track on 155mm Thermally Broken Sill



Option 2, Open In Weathered track

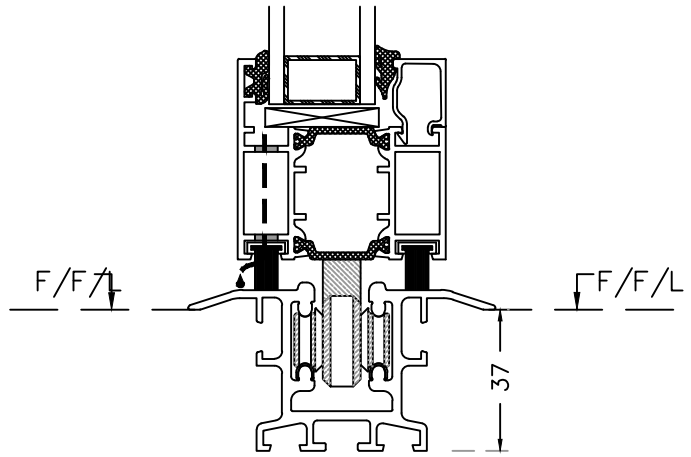


Option 4, Open In Weathered track on 155mm Thermally Broken Sill

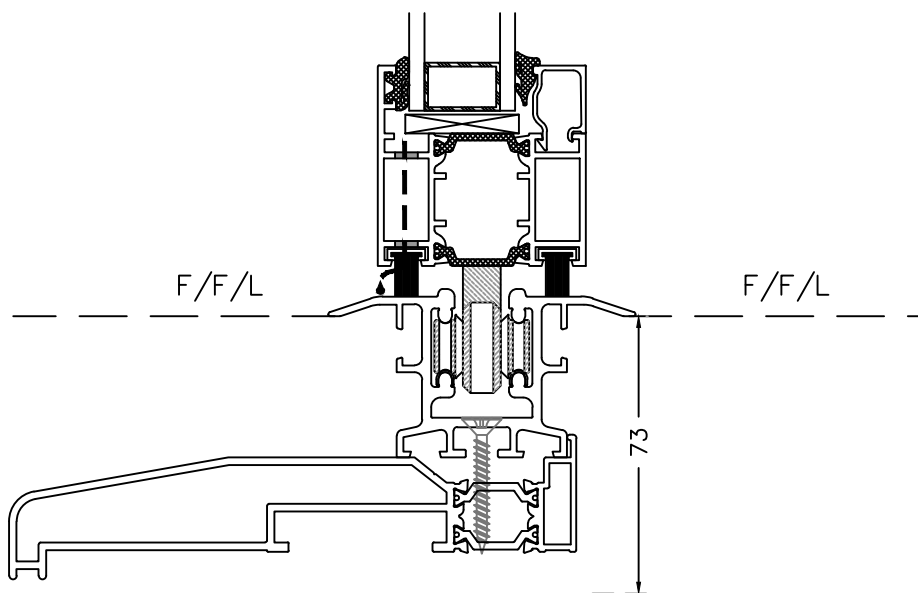
Vertical Section
Threshold Options – Weathered Track

Detail SF55-21
No.
System SF55

B



Option 5, Flush track



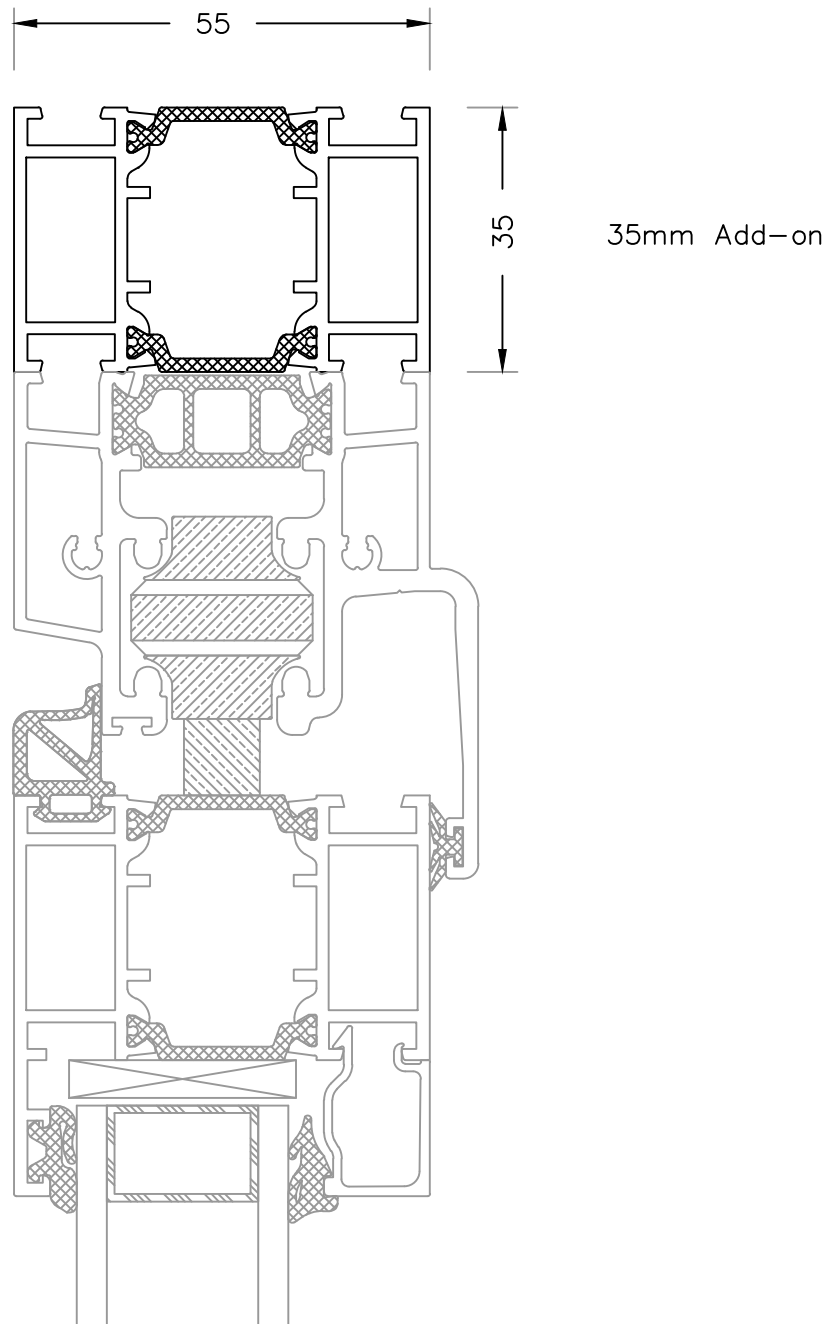
Option 6, Flush track on
155mm Thermally Broken
Sill

Note: Flush Track Reduces Weather Rating
Not Recommended for Exposed
Locations

Vertical Section
Threshold Options – Flush Track

Detail SF55-22
No.
System SF55

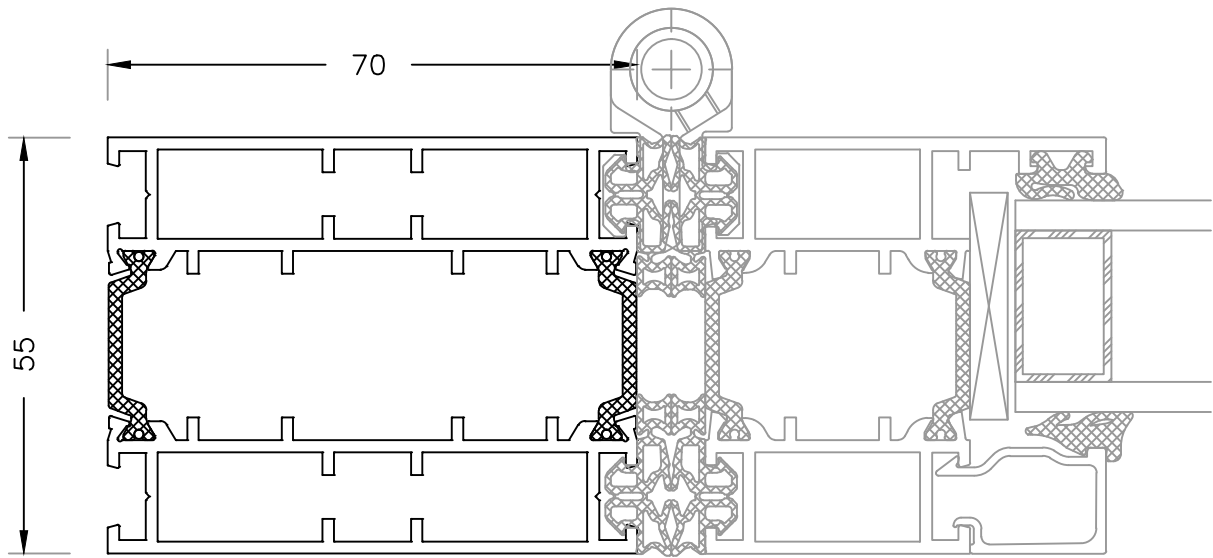
B



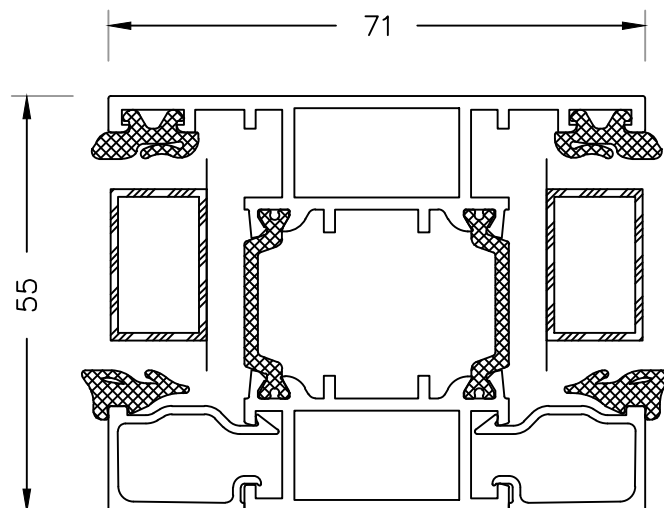
Description
 horizontal Section
 Additional Profiles

Detail SF55-23
 No.
 System SF55

B



70mm Jamb

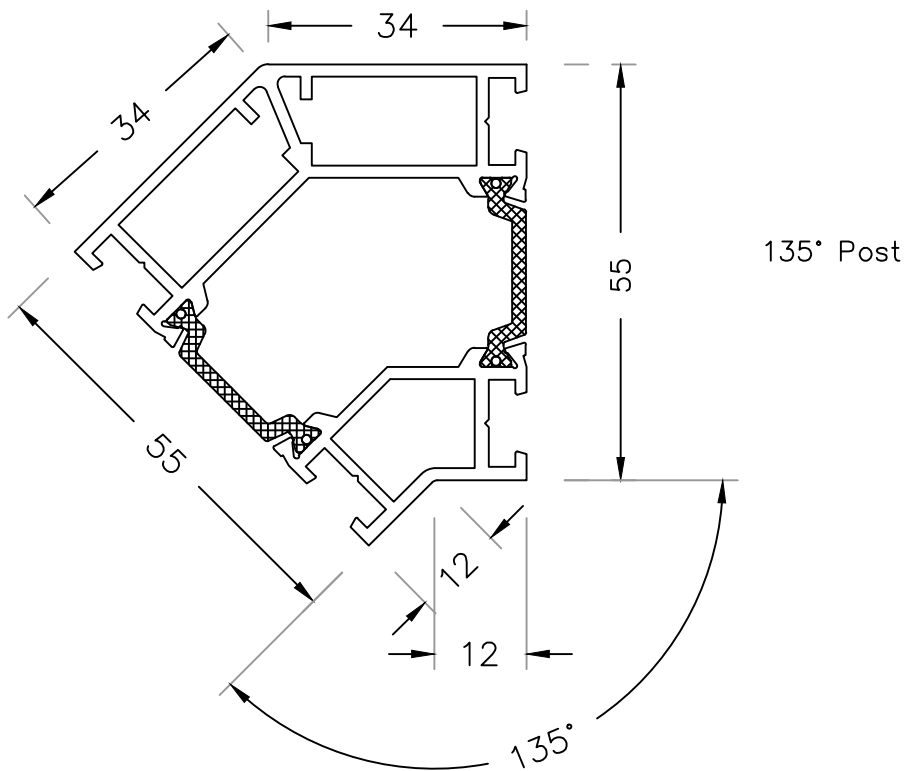
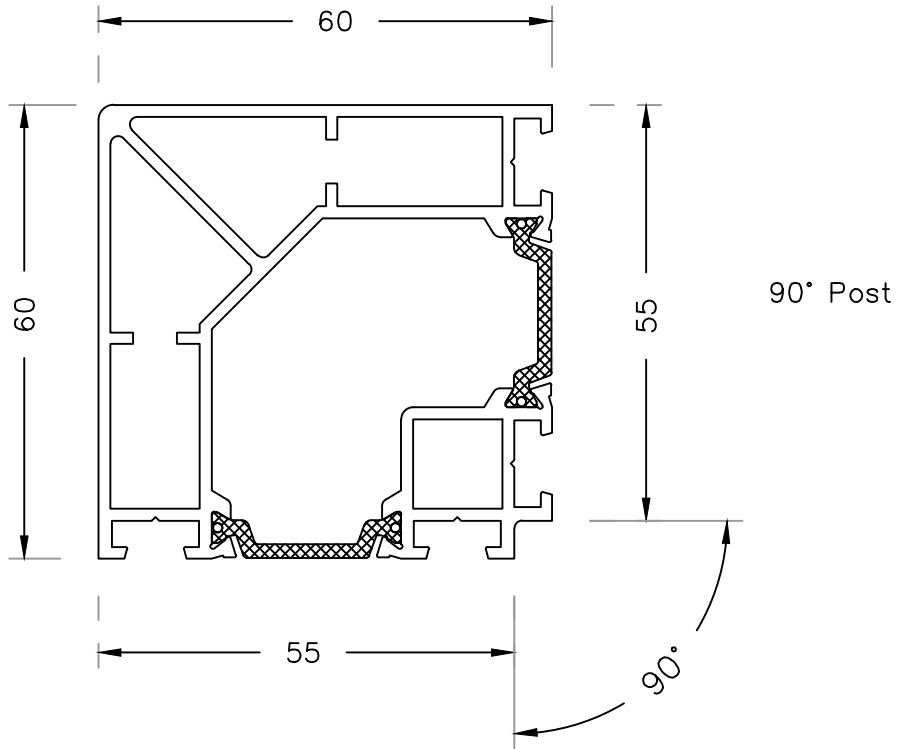


Transom / Mullion

Description
horizontal Section
Additional Profiles

Detail SF55-24
No.
System SF55

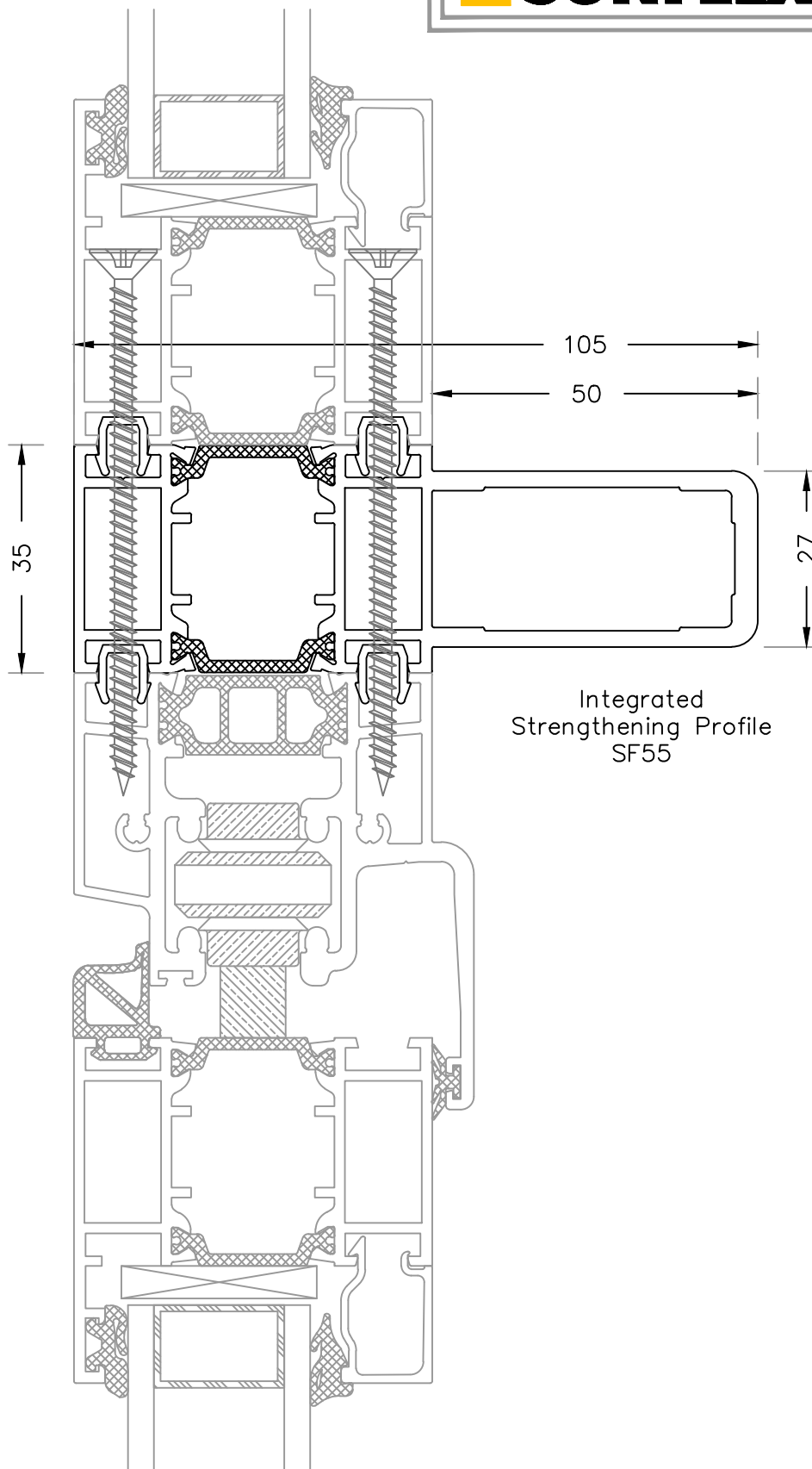
B



Description
Horizontal Section
Vertical Post Options

Detail SF55-25
No.
System SF55

B



NB: -

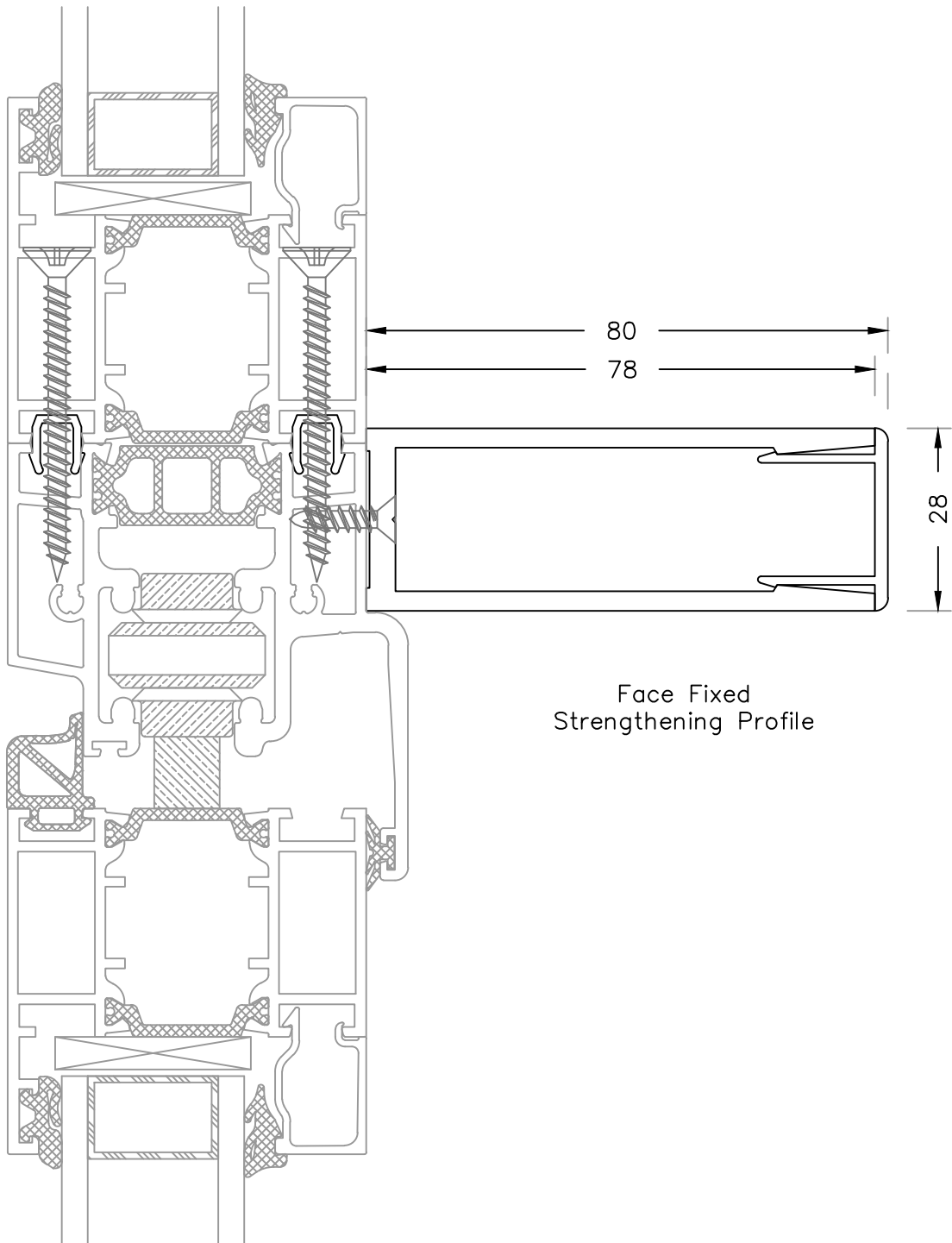
Required to be used on Door sets with Overlights when System Width Exceeds 3 M * in Exposed Locations or when System Width Exceeds 4 M * in Unexposed Locations

* This dimension may vary according to the depth of the Overlights

Vertical Section
Overlight - Strengthening Profile - Top Track

Detail SF55-26
No.
System SF55

B



NB: -

Required to be used on Door sets with Overlights In Unexposed Locations when System Width Exceeds 2.5, upto a Maximum of 4 M *

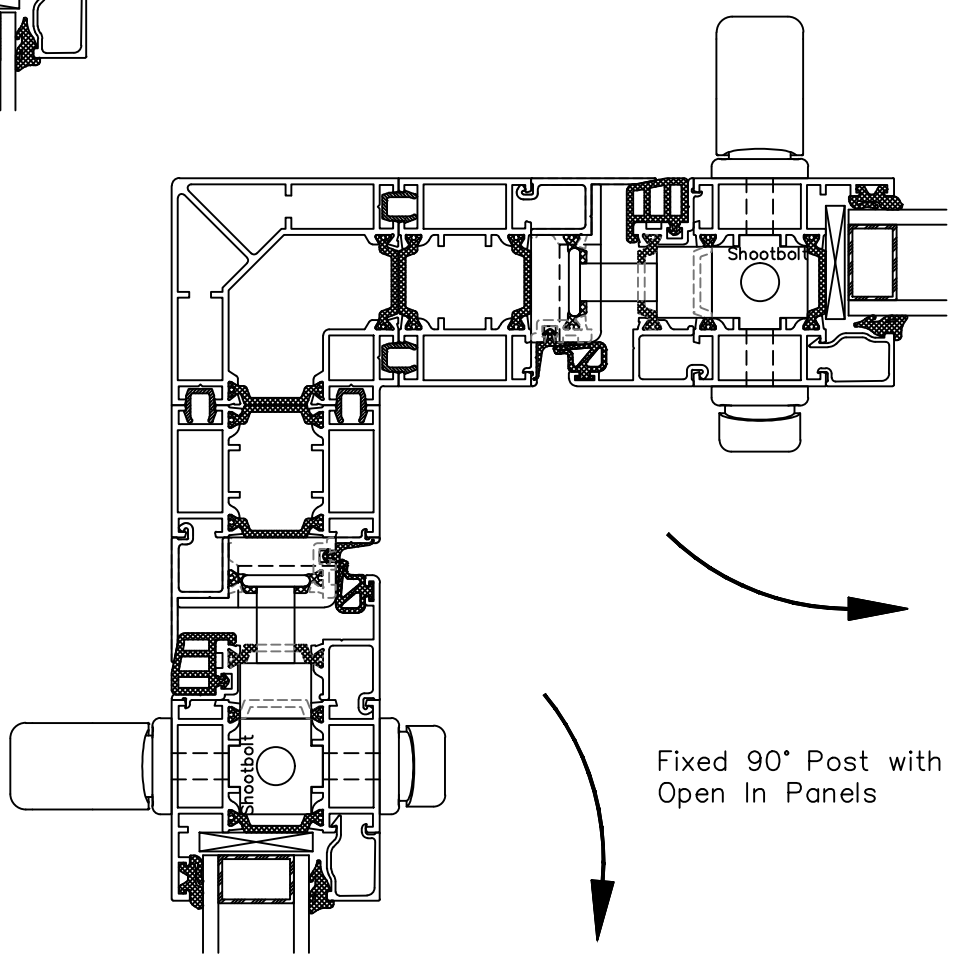
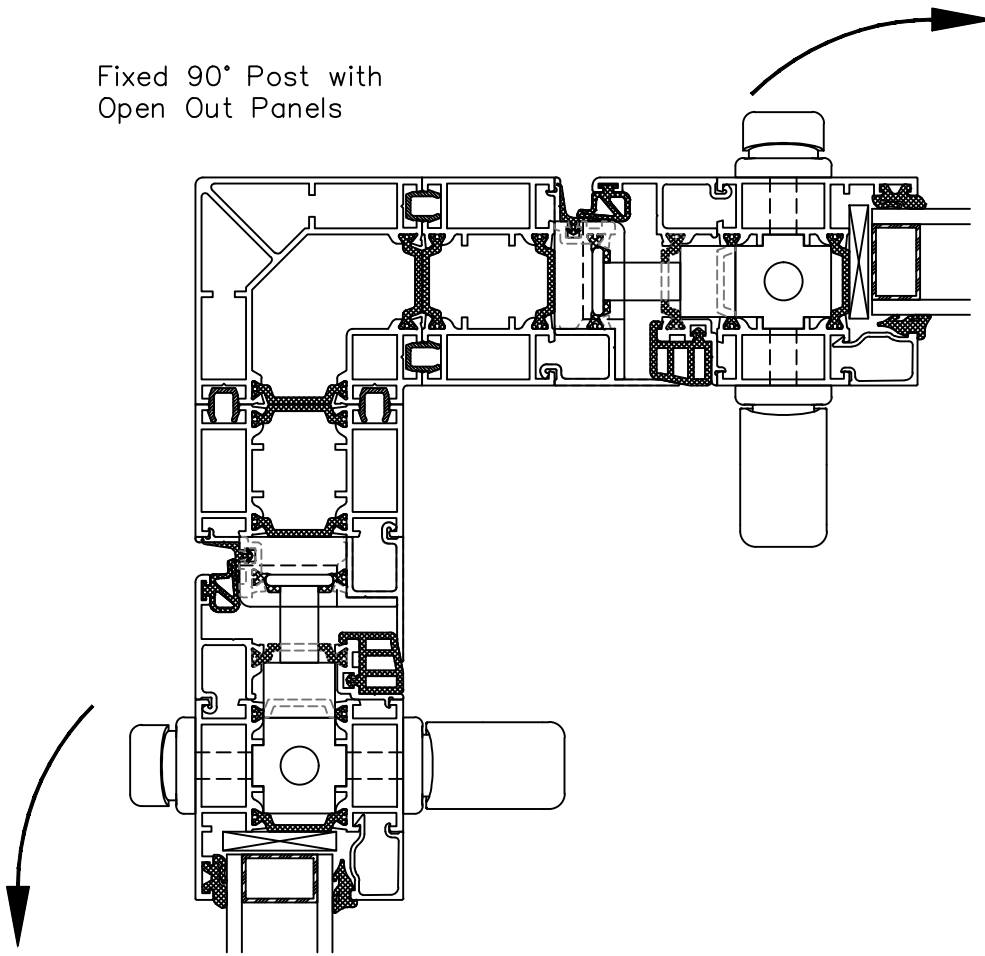
* This dimension may vary according to the depth of the

Overlight
Vertical Section
 Overlight - Top Track with Additional Face Fixed
 Strengthening Profile

Detail SF55-27
 No.
 System SF55

B

Fixed 90° Post with
Open Out Panels

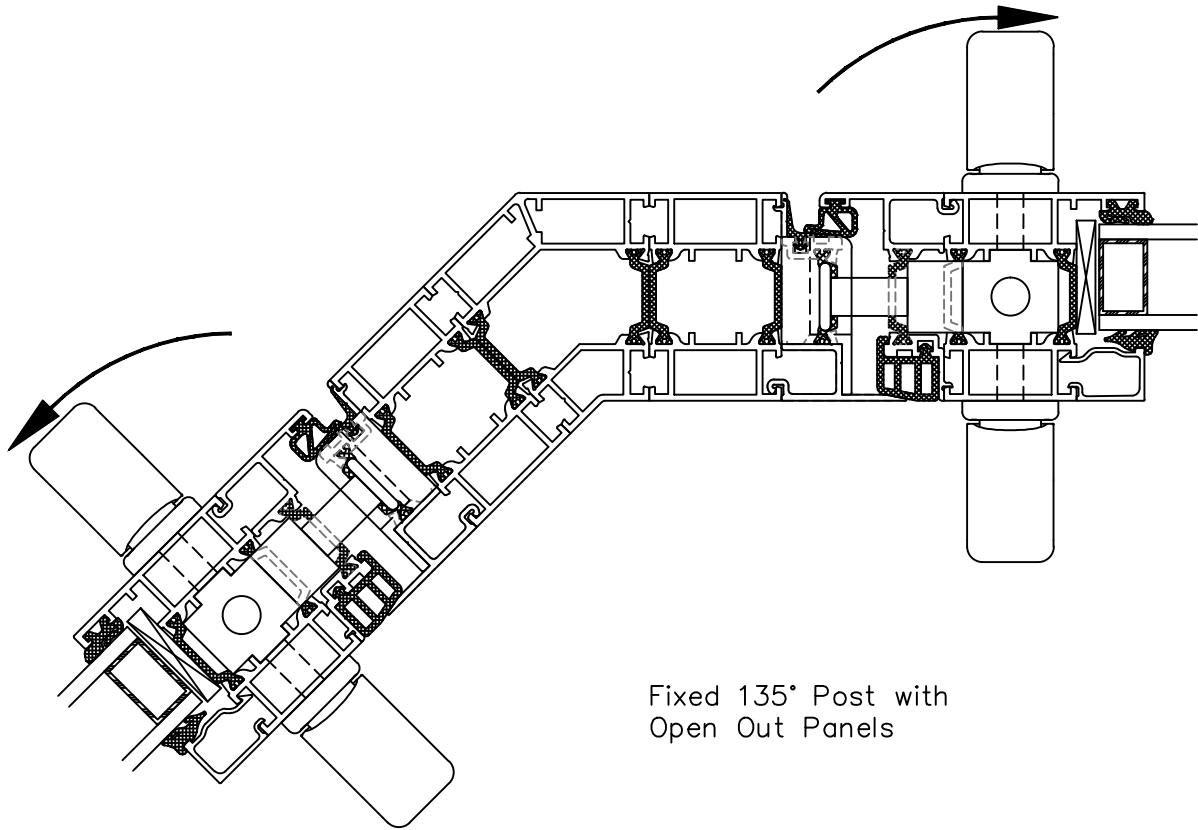


Fixed 90° Post with
Open In Panels

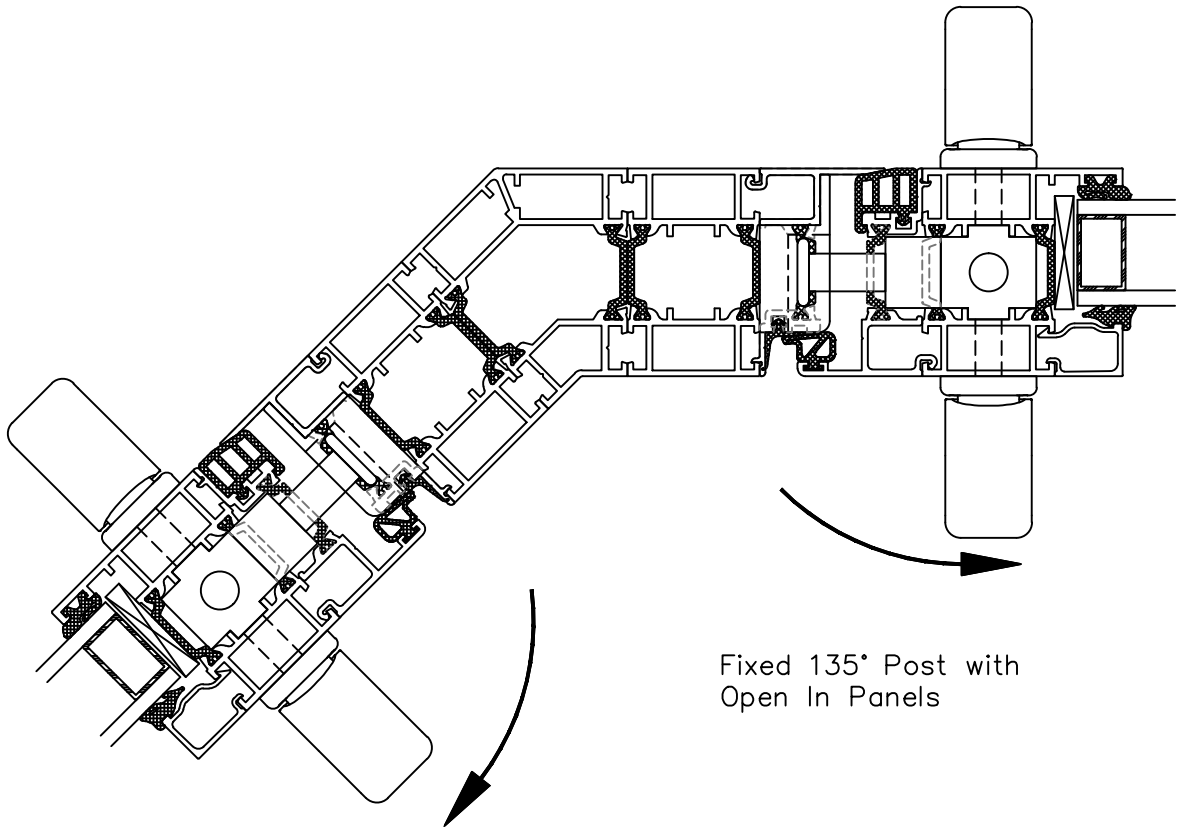
Description: Horizontal Section
Typical Fixed 90° Post Examples

Detail SF55-28
No. SF55
System

B



Fixed 135° Post with
Open Out Panels

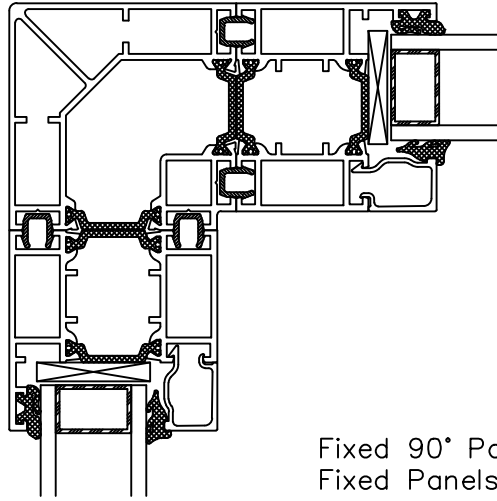


Fixed 135° Post with
Open In Panels

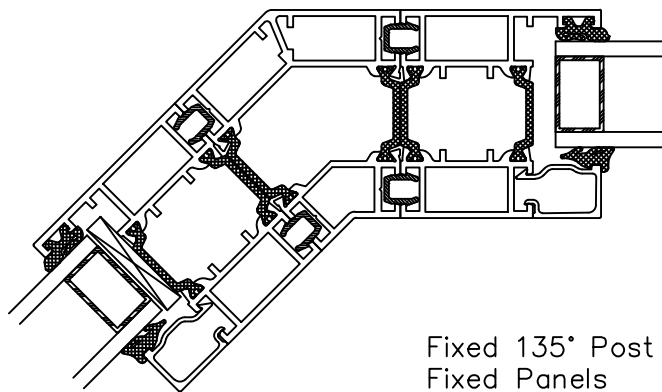
Description: horizontal Section
Typical Fixed 135° Post Examples

Detail SF55-29
No.
System SF55

B



Fixed 90° Post with
Fixed Panels



Fixed 135° Post with
Fixed Panels

Description
Horizontal Section
Typical Fixed Post Examples

Detail SF55-30
No.
System SF55

B